

# Megapixel Cameras

**ernitec**

Ernitec offers a series of high video quality and cost competitive IP megapixel super low-light performance cameras. The series includes one cube camera, the EIP4200C-M and two box cameras, the EIP5600C-M, colour version and the EIP5600DN-M, day/night version.

When using megapixel cameras it is important to use a lens with a very high optical resolution in order to exploit the full resolution of the megapixel camera.

The megapixel varifocal lenses from Ernitec are designed to be used with the Ernitec megapixel cameras.

## Main Features

- 1.3M Megapixel resolution supported
- Superior low-light performance
- Build in f4.2mm / F1.8 megapixel lens
- MPEG-4 SP / MJPEG compression supported
- Up to 8 fps at 1280x1024 resolution
- Two-way audio supported
- Power over Ethernet (IEEE 802.3af) supported (EIP5600C-M and EIP5600DN-M)

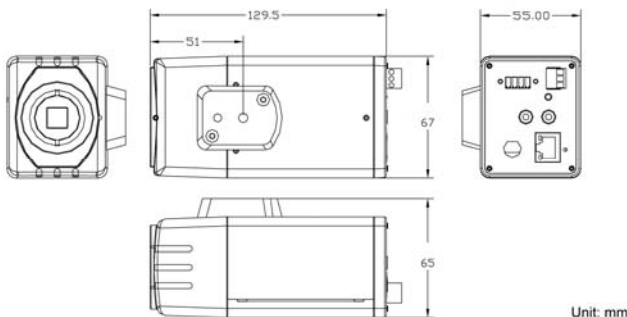


EIP5600 Box Camera

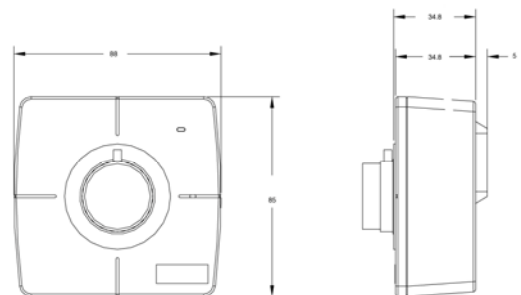


EIP4200 Cube Camera

## Dimensions



EIP5600 Box Camera



EIP4200 Cube Camera

## Specifications and ordering numbers

Type		EIP4200C-M	EIP5600C-M	EIP5600DN-M
Device		Micron progressive scan superCMOS		
Size		1/3"		
Min. scene illumination	Colour	0.1 Lux @ F1.8	0.5 Lux @ F1.8 (30 IRE MAX AGC)	
	B/W	N/A	N/A	0.05 Lux @ F1.8 (30 IRE MAX AGC)
	CDS sensor	N/A	N/A	yes
	IR sensitivity	N/A	N/A	700-1100nm
Lens	Lens mount	N/A	C/CS (with adaptor)	C/CS (with adaptor)
	Focal length	f4.2mm/F1.8		
	Viewing angle	75° (horizontal)		
Day/Night switching		N/A	N/A	Mechanical IR Cut Filter
Motion detection		yes (3 windows)		
Electronic shutter		1/30~1/2,000 sec. (60Hz); 1/25~1/2,000 sec. (50Hz);	1/10~1/2,000 sec. (60Hz); 1/10~1/2,000 sec. (50Hz);	
Flickerless		1/120 sec. (60Hz); 1/100 sec. (50 Hz)		
BLC		yes		
AGC		automatic (user defined)		
White balance		6 modes		
S/N ratio		better than 44 dB		
Video compression	Compression	MPEG-4 SP, MJPEG selectable		
	Picture resolution	SXGA (1280x1024); HD720 (1280x720); VGA (640x480)		
	Image frame rate	up to 8 fps at SXGA; up to 10 fps at HD720; up to 30 fps at VGA		
Audio input	Compression	8 kHz, mono, PCM		
	Audio line input	built-in microphone	unbalanced, 1.4Vp-p, 1Vrms, 3.5 mm jack	
Audio output	Compression	8 kHz, mono, PCM		
	Audio line output	unbalanced, 1.4Vp-p, 1Vrms, 3.5 mm jack		
Alarm	Digital input	N/A	1, terminal block	1, terminal block
	Transistor output	N/A	1, terminal block	1, terminal block
LED		system status		
Ethernet		ethernet (10/100 Base-T), RJ-45 connector		
Protocol		TCP, UDP, IP, HTTP, DHCP, PPPoE, RTP, RTSP, FTP, SMTP, DNS, DDNS, NTP, ICMP, IGMP, ARP, 3GPP		
Web Browser		Microsoft Internet Explorer 6.0 or above		
SDK		ActiveX control, C SDK		
Security		password protection: configured by the administrator		
Operating temperature		0°C~40°C	0°C~50°C	0°C~50°C
Power requirement		3.3 VDC ±10%	PoE (IEEE802.3af) with class 3	
Power consumption		2.4 W	3.3 W (12 VDC); 4.3 W (PoE)	
Dimensions (WxHxD)		88 x 85 x 52.1 mm	67 x 55 x 129.5 mm	
Weight		150g w/o bracket	400g	400g
Order information		0070-00200	0070-00201	0070-00202



THE ONE TO WATCH

### Denmark Head Office

Ernitec A/S  
Phone: +45 44 50 33 00  
Fax: +45 44 50 33 33  
mail: info@ernitec.dk

### French Branch Office

Ernitec SARL  
Phone: +33 (0)467 151 015  
Fax: +33 (0)467 640 181  
mail: info@ernitec.fr

### German Branch Office

Ernitec GmbH  
Phone: +49(0)(40)6756250  
Fax: +49(0)(40)67562525  
mail: info@ernitec.de

### UK Branch Office

Ernitec UK  
Phone: +44 (0)1903263125  
Fax: +44 (0)1903263126  
mail: info@ernitec.co.uk

### Middle East Office

Ernitec ME  
Phone: +961 1 751 796  
Fax: +961 1 751 795  
mail: info@ernitecme.com

www.ernitec.com