

# EIP120 IP Box Camera



## Description:

The EIP120 series of Ernitec IP Cameras is a new high quality series of D1, 25fps, MPEG4 cameras for usage in a wide range of IP applications. Ernitec offers you 2 different models, a Color version and a Day/Night version including PoE supply.

The EIP120 series delivers smooth analog-video like transmission over LAN or WAN.

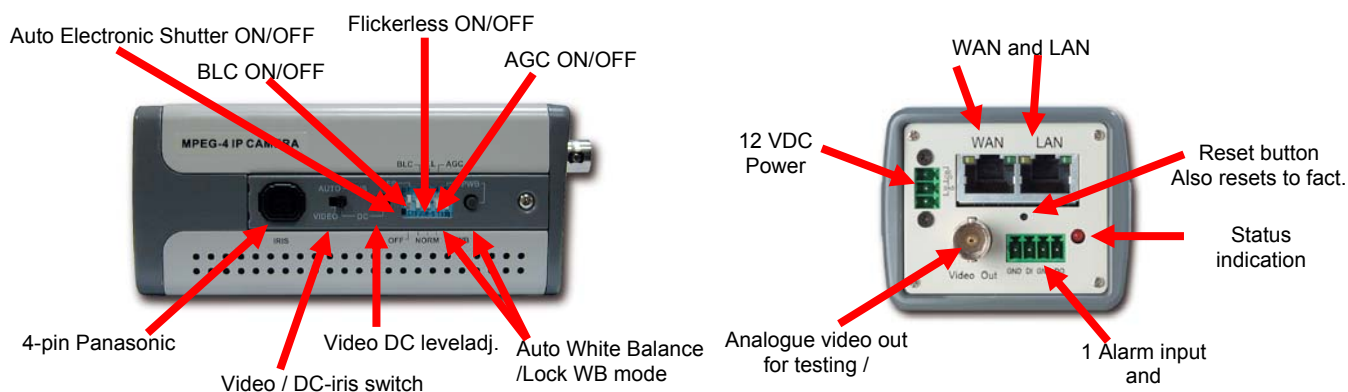
The cameras have a built-in web server to enable authorized users to do live-viewing and adjust the camera setting via remote web browsers.

In addition to support of the DC and a video auto iris lens, the EIP120 series also has DIP-switch controlled functions including backlight compensation, auto white balance, auto gain control and flickerless for different application conditions.



## Main features:

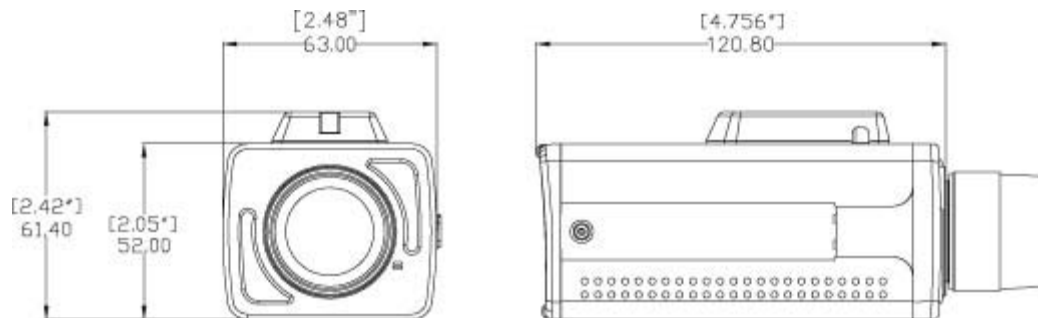
- 1/3" SONY Super HAD / Exview HAD with 470K/410K pixels
- Backlight Compensation, Auto Iris Control, Auto White Balance supported
- MPEG-4 ASP compliant compression
- CIF up to Full D1 resolution at 25 FPS
- Dual MPEG-4 video stream output via LAN & WAN (PPPoE supported) ports concurrently
- Live video viewing from Ernitec EasyView™ IP Client.
- Power Over Ethernet (IEEE 802.3af) supported (EIP120D-P12P only)



# Specifications for Ernitec EIP120 IP Cameras

Type	EIP120C-P12	EIP120D-P12P
Device	Interline Transfer SONY Super HAD CCD	Interline Transfer SONY EXviewHAD CCD
Effective Pixels (HxV)	795 x 596 (PAL)	
Horizontal Resolution	480 TVL / 380 TVL	480 TVL
Color	0.15 Lux at F1.2 (30 IRE, SAGC) (CAM-53xxH)	Mode automatically switched to B/W under 4 Lux (D/N)
Min. scene Illumination B/W	N/A	0.05 Lux at F1.2 (30 IRE, SAGC)
IR Sensitivity	N/A	from 700nm to 1100nm
Lens Mount	C / CS (with adaptor) (lens not included)	
Day/Night Switching	N/A (Colour only)	Mechanical IR Cut Filter: Auto; Colour/Monochrome
Motion Detection	Yes (3 windows)	
Electronic Shutter	AES On: 1/50 ~ 1/100,000 sec. (PAL); AES Off: 1/50 sec. (PAL)	
BLC	On / Off (switchable)	
AGC	On / Off (switchable)	On / Off (switchable) AGC off disables D&N function
White Balance	AWB / PWB (switchable)	
Flickerless	On / Off (switchable)	
Auto Iris Control	Video / DC (switchable)	
S/N Ratio	Better than 50 dB (AGC off)	
Video (Compression) Bit Rate Picture Resolution Image Frame Rate Multi-stream	MPEG-4 ASP compliant Full D1 720 x 576 in PAL; CIF 352 x 288 in PAL; QCIF 176 x 144 in PAL 28 K ~ 3 M bps 30 fps at full D1 resolution (NTSC); 25 fps at full D1 resolution (PAL) Up to 4 configurable frame rate/bit rate streams for preview and recording	
Composite Video Output	CVBS, 1.0Vp-p with 75 Ω loading, BNC connector	
Alarm Input / Output	1, TTL, terminal block	
LED	System status	
LAN Port / WAN Port	Ethernet(10/100Base-T), RJ-45 connector	
Protocol	TCP, UDP, IP, HTTP, DHCP, PPPoE, RTP, RTSP, FTP, SMTP	
Web Browser	Microsoft Internet Explorer 6.0 or above	
Software	Ernitec EasyView™ IP Client / EasyView™ NVR Server	
Operating Temperature	5°C~50°C (40°F~122°F)	
Power Requirement / Power Consumption	DC 12 V ±10% / 9 W	PoE (IEEE802.3af) with Class 3 / 12 W
Dimensions (WxHxD) / Weight	63 mm x 52 mm x 120 mm (2.48" x 2.05" x 4.76") / 450 g (0.99 lb)	

EasyView™ is a registered Trademark owned by Ernitec, all rights reserved. Datasheet is preliminary. Subject to change without notice.



**Denmark Head Office**  
Ernitec A/S  
Hørkær 24  
2730 Herlev  
Denmark  
Phone: +45 44 50 33 00  
Fax: +45 44 50 33 33  
info@ernitec.dk  
www.ernitec.com

**French Branch Office**  
Ernitec France SARL  
N° 29 Parc Club du  
Millenaire  
1025 Rue Henri Becquerel  
34036 Montpellier cedex 1  
France  
Phone: +33 (0) 467151015  
Fax: +33 (0) 467640181  
info@ernitec.fr  
www.ernitec.com

**German Branch Office**  
Ernitec GmbH  
Stormarnring 28  
22145 Stapelfeld  
Germany  
Phone: +49 (0)406756250  
Fax: +49 (0)4067562525  
info@ernitec.de  
www.ernitec.com

**UK Branch Office**  
Ernitec UK  
Columbia House  
Columbia Drive  
Worthing  
West Sussex BN13 3HD  
UK  
Phone: +44 (0)1903263125  
Fax: +44 (0)1903263126  
info@ernitec.co.uk  
www.ernitec.com

**Middle East Office**  
Ernitec ME  
Hamra - Makdesi Street  
Younis Center - 5th floor  
Office no. 503  
P.O.Box: 113/5721  
Beirut  
Lebanon  
Phone: +961 1 751 796  
Fax: +961 1 751 795  
info@ernitecme.com  
www.ernitecme.com