



Mounts for Monitors

FDP-No.: 20214

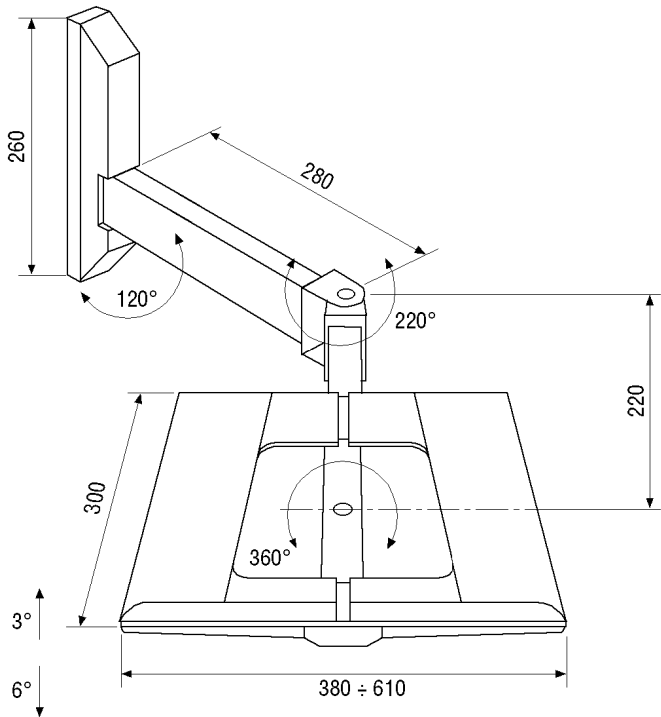
WM-53

- For Wall Mounting
- Suitable for Monitors/TV Sets
- High Load Capacity
- Adjustable Mounting Plate
- Turn and Tiltable Mounting Plate
- Easy Installation



Specifications:

Load capacity	Max. 40 kg
Horizontal width range of the mounting plate	380-610 mm
Max. turn angle	360°
Tilt range	+6° / -3°
Conduit cabling	Cable lead through the bracket arm
Colour	White
Dimensions (HxWxD)	See drawing
Weight	5.5 kg



Maße/Dimensions: mm

e-mail: info@eneo-security.com • www.eneo-security.com