

Video Security

Network Cameras | LAN Camera Systems

ENE0 WLAN-03

1/3" WLAN Colour Camera, F1.4/2.8-12mmDC
VHM Housing, Wallbracket, 480TVL, 230VAC

Art-No. 96072



Features

1/3" WLAN CCD Colour Network Camera with CS Mount
Horizontal Resolution of 480 TV Lines
F1.4/2.8-12mm with DC Controlled Lens
Automatic Shutter Control (AES)
Activity Detection
Ethernet Interface: IEEE 802.11b Standard

E-Mail and FTP Transmission of Important Events
Weatherprotected Housing with Screen Heater
Viewing Screen with "Clear-Shield" Technology
Surface: RAL7032 / Wall Bracket WD-16
Power Supply: 230VAC/50Hz

Specifications

Output power	20dBm (100mW), max.
Imager	1/3" interlaced CCD
Resolution	480 TV lines (camera) 720x576, 352x288 pixels
Sensitivity at 50% video signal	1.1Lux at F1.2 (VT measurement result)
Automatic shutter control (AES)	1/50 ~ 1/100,000Sec.
Activity detection	Integrated motion detector
Focal length (f)	2.8 ~ 12mm
Horizontal angle of view	97.4° ~ 24.1°
Aperture range	F1.4 ~ F260
Iris control system	Galvanometer
Minimum object distance (M.O.D.)	0.3m
Window screen	Coated with "Clear Shield" Technology. With this technology the glass corrosion, caused by environmental pollution, is avoided and screen cleaning cycles will be extended. The coating is UV light resistant, colour neutral and it causes no F-stop loss.
Window heater	24V, approx. 6watts, with thermostat (On: +16°C, Off: +20°C)
Cable entry	Metal glands M20x1.5mm

ENE0 WLAN-03

(Specifications continued)

Cable connection	3m Mains connector cable with open ends
Mounting distance from fixing point	300mm
Turning range of the swivel head	360°
Tilt range	Approx. 50°
Protection rating	IP66
Recording	on PC with Viewer Software or on SD Card on camera side
Video output	1Vp-p, CVBS, 75ohms, BNC
Compression standard	M-JPEG
Frame rate	25 frames/sec. max. (recording mode), up to 15 frames/sec. (streaming mode), Picture size: 4~64kB
Transmission rate	up to 15 frames/sec.
Image display	Via Web Browser or Lan-Cam-Viewer Software
Alarm input	1 (software controlled)
Alarm outputs	Open collector (5V / 0.02A max.)
Alarm handling	Automatic connection setup to a specified IP address
Ethernet interface	IEEE 802.11b Standard for 2.4GHz
Ethernet protocols	TCP, UDP, IP, ARP, ICMP, FTP, DHCP, PPP, HTTP, IGMP, DNS, DNNS
Software upgrade	Via CF card
Operation protection	Multilevel and Multiuser - Password protected
Serial interfaces	RS-232, RJ 45 connector
Supply voltage	230VAC/50Hz
Housing	Aluminium
Colour	RAL7032
Temperature range	-10°C ~ +50°C
Dimensions (HxWxD)	See drawing
Weight	Approx. 3.5kg
Parts supplied	Package consisting of: LAN Camera ENC-1003W with lens, LanCam Viewer Software, Weatherproof housing with power supply unit 230V/50Hz, Screw set, 3m connection cable, Wall bracket

Accessories of

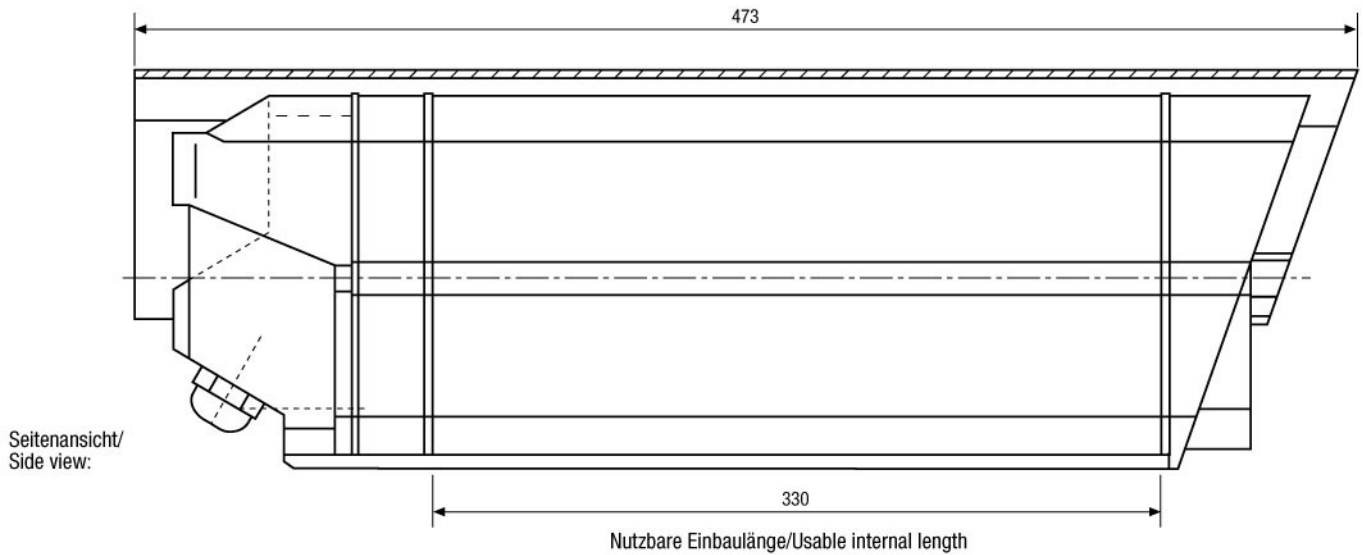
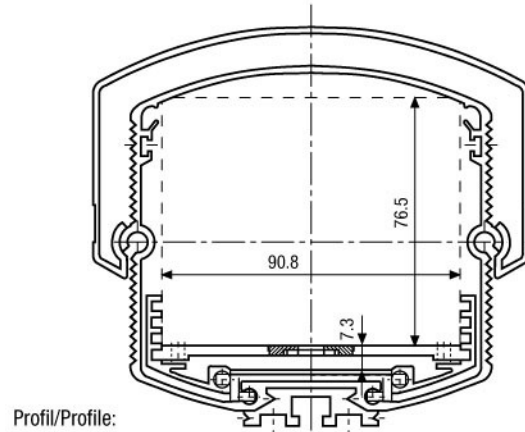
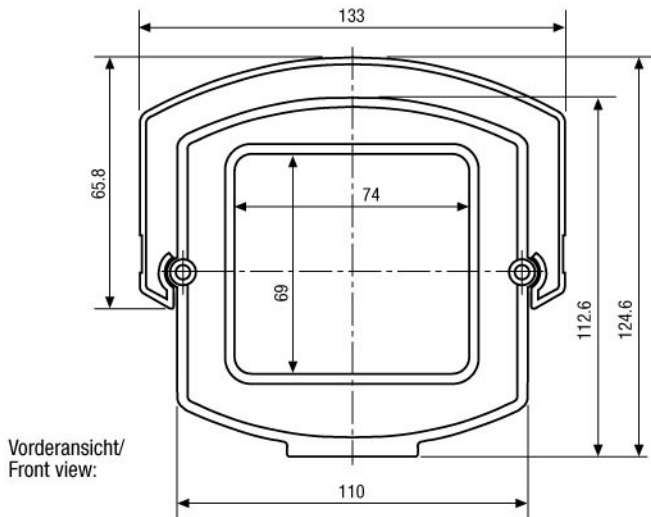
71875 / DNR-108/80W

Digital W LAN IP Recorder (8 Channel), 80Gb, 12VDC/230VAC

Product Information

System requirements for the Viewer Software:

- Standard PC with P-IV processor and >1.8GHz system clock
- Windows 2000 or Win XP (in preparation)
- Network connection 10/100 Base-Tx
- Internet Explorer 5 or higher
- Hard disk 80Gb, depend on recording demand
- RAM 512Mb (recommended)



Maße/Dimensions: mm

VIDEOR TECHNICAL E. Hartig GmbH
 Carl-Zeiss-Straße 8 · 63322 Rödermark · Germany
 Telefon +49 (0) 60 74/8 88-0 · Telefax +49 (0) 60 74/8 88-100
 info@videortechnical.com · www.videortechnical.com

