



Mounts for Weatherproof Housings

FDP-No.: 70694

WD-20/MK

- For Wall Mounting
- For Weatherproof Housings (VTL or VHL Series)
- Rugged Aluminium Construction
- Swivel head with Large Adjustment Range
- Ready for Installation



Specifications:

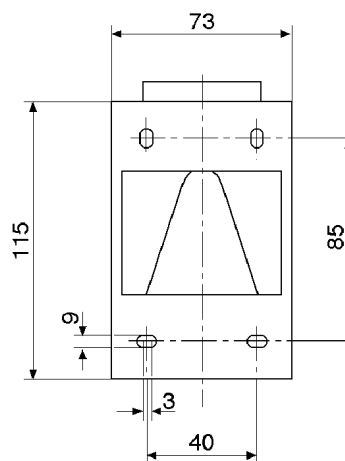
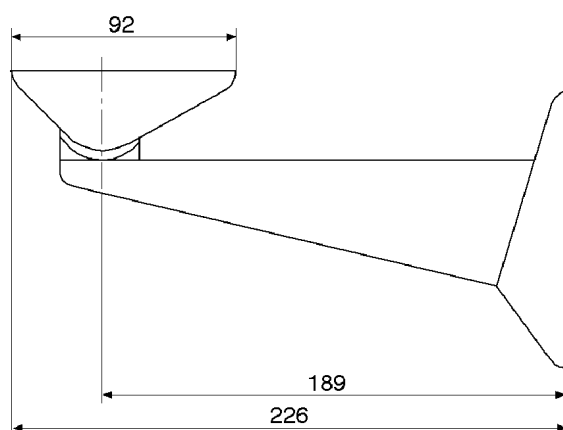
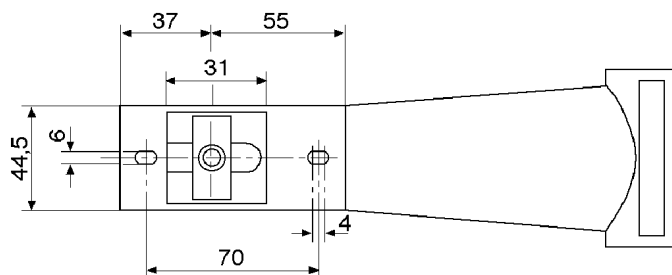
Load capacity	5 kg
Mounting distance from fixing point	190 mm
Max. turn angle	360°
Max. tilt angle	Approx. +/-60°
Material	Aluminium, stainless steel screws
Colour	Black
Dimensions (HxWxD)	See drawing
Weight	465 g
Parts supplied	2 Allen wrench screws 4&5 mm, 2 fixing screws M6

Zubehör von englisch

EDP No. / Type	Description
79399 VHL-2ECKA	Weatherproof housing with sunshield, heater, thermostat and screw terminal, metal finish, without wall bracket
79435 VHL-2ECKB	Weatherproof housing with sunshield, heater, thermostat and screw terminal, metal finish
79015 VHL-1EC	Weatherproof housing with sunshield/heater

WD-20/MK

EDP No. / Type	Description
79016 VHL-2EC	Weatherproof housing with sunshield/heater
79006 VHL/DP-2EC	Dustproof housing, EC series
79484 VTL-W/N2	Weatherproof housing with sunshield/heater/thermostat



Maße/Dimensions: mm

e-mail: info@eneo-security.com • www.eneo-security.com