

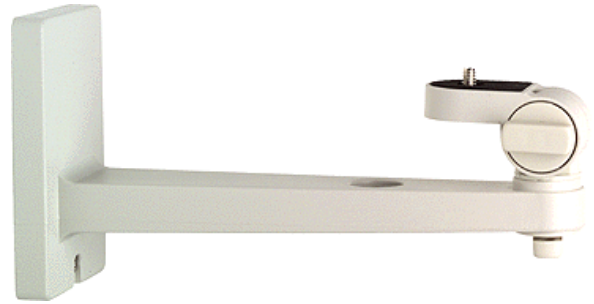


Mounts for Cameras

FDP-No.: 70689

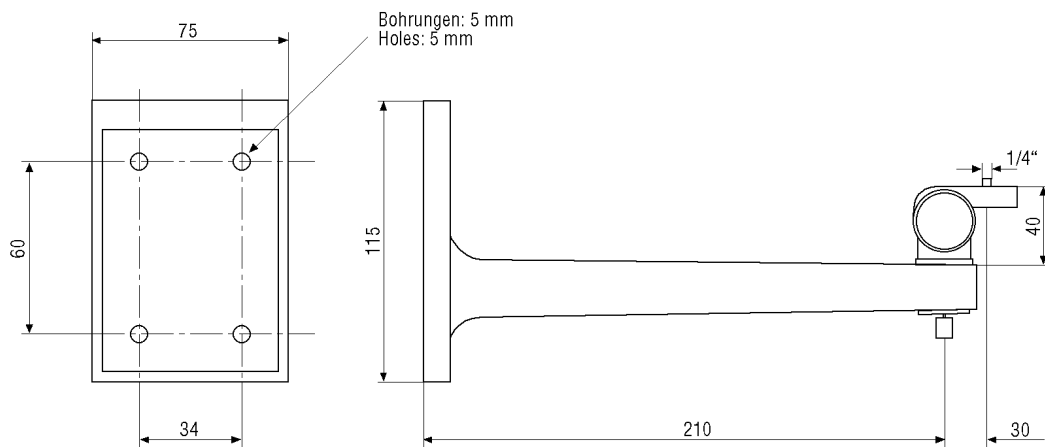
WD-19/MK

- For Wall Mounting
- Rugged Plastic Construction
- Adjustable Swivel Head
- Ready for Installation



Specifications:

Mounting distance from fixing point	180 (Wall) /240 (Ceiling) mm
Load capacity	3 kg
Camera mount	1/4" - 20 UNC thread
Material	Plastic
Colour	Light grey
Weight	220 g



Maße/Dimensions: mm

e-mail: info@eneo-security.com • www.eneo-security.com