



## One Cable Camera Systems

FDP-No.: 90409

### VT-RVS1

- 1/3" CCD Camera
- Resolution of 350 Horizontal Lines
- Super Wideangle Lens F1.9/2.3 mm
- Rugged Camera Housing
- Electronic Shutter Control (ESC)
- 7" Picture Tube
- Power Supply 12 or 24 VDC
- 2 Camera Inputs



---

### Specifications:

---

#### Monitor:

Screen size 7" (17.5 cm)

Screen size (visible) 17 cm

System CCIR

Scanning frequency range H/V 15.625 kHz / 50 Hz

Horizontal resolution 650 TV lines

#### Inputs

4-pin Mini DIN:

Pin 1: 1Vp-p, CVS, 75 Ohm

Pin 2: 12 VDC, 0.2 A (output)

Pin 3: Ground

Pin 4: Audio input -5 db (436 mV), 30 Ohm

#### Outputs

1x Video, cinch plug

1 x Audio, cinch plug, 436 mV, 30 kOhm

1 x Audio, 0.5 W, 8 Ohm

Supply voltage

12 or 24 VDC

Power consumption

Max. 27 W

Synchronization

Internal

Operations (Front panel)

Volume, contrast, brightness, input selector, intercom, day/night switcher, ON/OFF switcher

## VT-RVS1

---

LED indication	Power ON LED
Operations (Back panel)	Mirror correction ON/OFF
Housing	Plastic
Temperature range	-15°C to +60°C
Colour	Dark grey
Dimensions (HxWxD)	154x203x209 mm (without mounting bracket)
Weight	2.6 kg
Special features	Built-in loudspeaker
Parts supplied	1x Camera VT-RVS/K, Sunshield, Mounting bracket, 18 Camera cable, 5m DC power cable, Role of tape
Camera:	
Imager	1/3" Interline transfer CCD
System	CCIR
Synchronization	Internal
Horizontal resolution	350 TV lines
Active picture elements	Approx. 250.000
Signal-to-noise ratio	>44 dB
Electronic shutter control (ESC)	Yes
Video output	1 Vp-p, CVS, 4-pin Mini DIN connector, 75 Ohm
Supply voltage	12 VDC (supplied by monitor)
Power consumption	2.4 W
Camera mount	Bracket (supplied)
Built-in lens	F 1.9 / 2.3 mm
External connections	4-pin Mini DIN: Pin 1: 1 Vp-p, CVS, 75 Ohm (output) Pin 2: 12 VDC (input) Pin 3: Ground Pin 4: Audio, -5 dB (436 mV), 30 kOhm
Internal adjustments	None
Temperature range	-20°C to +60°C
Protection rating	IP 65
Housing	Metal
Colour	Grey beige
Dimensions (HxWxD)	54x92x90 mm (without mounting bracket)

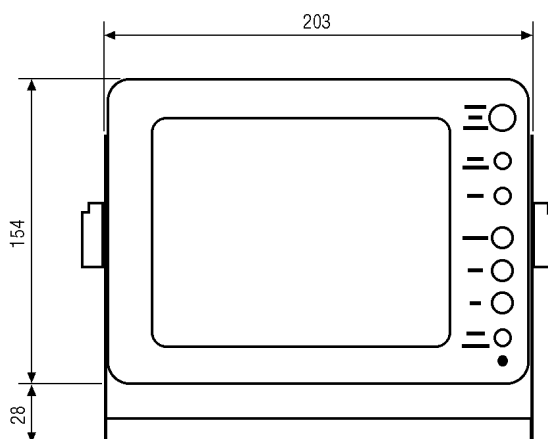
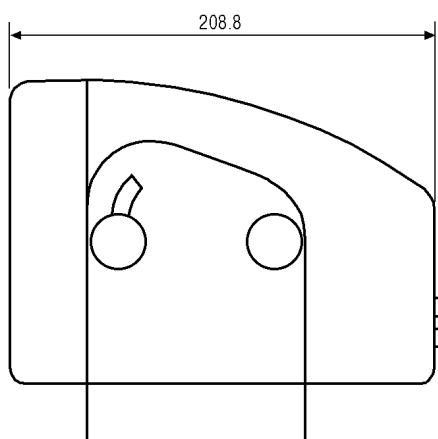
## VT-RVS1

---

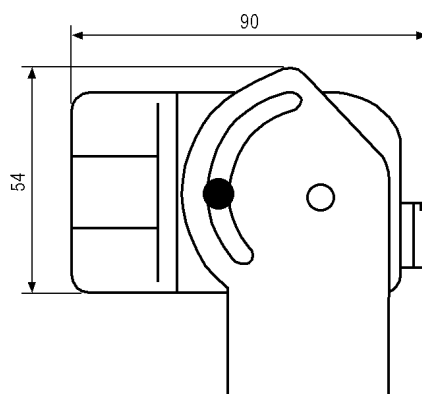
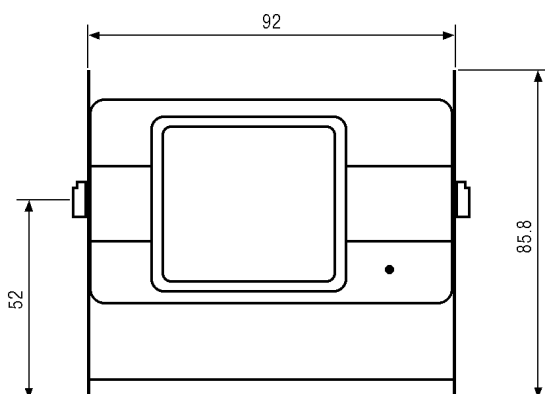
Weight	900 g
Special features	Built-in microphone
Parts supplied	Mounting bracket, Screw set

Accessories	
EDP No. / Type	Description
90410 VT-RVS/K	CCD camera for rear vision system VT-RVS1 with lens F1.9/2.3mm
90422 VT-RVS/K-KAB	Camera connection cable for rear vision camera VT-RVS/K

Monitor:



Kamera:



Maße/Dimensions: mm