



Compact & Indoor Housings

EDP-No.: 70743

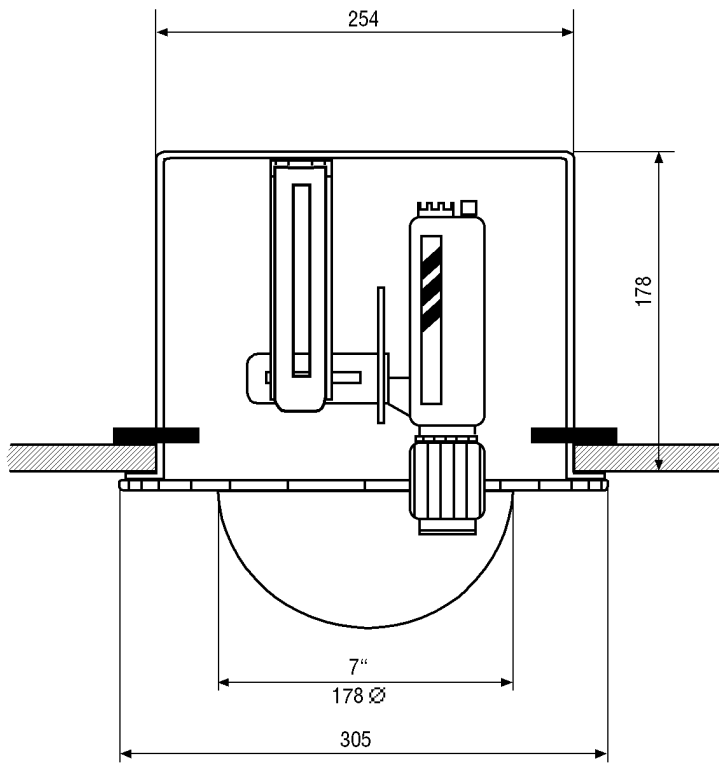
VT-DIT 7/1

- Drop Ceiling Mount Housing with 7" Clear Bubble and White Trim Ring
- Vertical Camera Viewing Direction
- Inner Liner with 90° Viewing Slot
- Standard Camera Bracket
- Metal Top Cover
- Ready-for-Installation in Recessed and Suspended Ceiling



Specifications:

| | |
|---------------------------------------|--|
| Max. length of the camera combination | 178 mm |
| Transmission Loss | Approx. 1.5 F-stops |
| Camera panning range | 360° horizontal (by turning of the complete housing) |
| Camera tilt range | Approx. 45° |
| Housing top cover | Metal |
| Colour | Black |
| Dimensions (LxD) | See drawing |
| Weight | 3.6 kg |



Maße/Dimensions: mm