

VPT-40/230V-POT

Home | Security | Pan & Tilt Systems | Fixed Speed

VPT-40/230V-POT
Pan/Tilt Head with Potentiometer, 230VAC RAL7032,

Art-Nr. 73208



Main Features

20kg Load Capacity
Supply Voltage: 230VAC
50/60Hz Operation
Backlash: <math><0,2^\circ</math>
High Torques

Potentiometers on Both Axes
Rugged Housing
No Maintenance Required
Protection Rating: IP66
Options: Heater

Specifications

Series	eneo VPT
Load capacity	20 kg, (load assembly in the horizontal and vertical center of gravity required)
Nominal voltage range	230VAC (+20% ~-10%)
Current consumption/motor (at 50 Hz)	30mA
Max. torque at nominal speed	16.5Nm horizontal / 33Nm vertical (Running torques at 50Hz)
Speed at nominal voltage	6°/sec. horizontal, 3°/sec. vertical (at 60 Hz: +20%)
Rotation range	359°, 359° horizontal, +/-90° vertical
Backlash	<math><0,2^\circ</math>
Limit switch control	Internally adjustable (Micro switchers)
Autopan	no
Pattern	no
Positioned freely	yes
Potentiometer on both axes	5kohms

VPT-40/230V-POT

(Continuation Specifications)

Serial interfaces	voltage
Plug connections	7pin / 4pin sockets
Supply voltage	230VAC
Temperature range (Operation)	-20°C ~+70°C
Temperature range with built-in heater	-40°C ~+70°C
Heater	optional
Mounting of illuminator possible	optional
Mounting	Upright or upside down
Protection rating	IP66
Housing material	Aluminium, Plastic
Housing	Aluminium frame with plastic covers
Colour (housing)	Eloxal C0
Colour	C0 anodized / RAL7032
Dimensions (HxWxD)	See drawing
Weight	6.5kg
Parts supplied	Screw set, 7-pin/4-pin connectors, Allen wrench key (4mm)

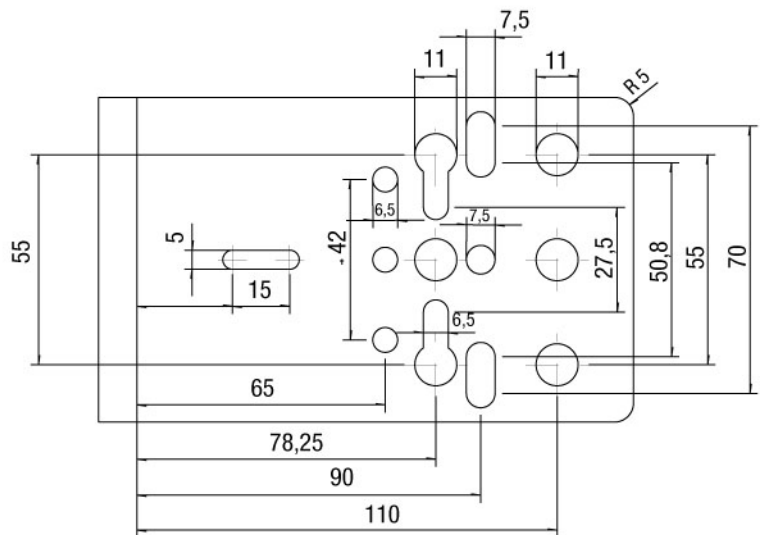
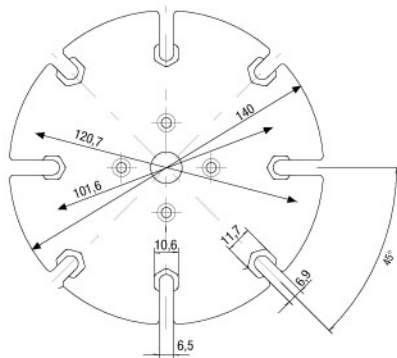
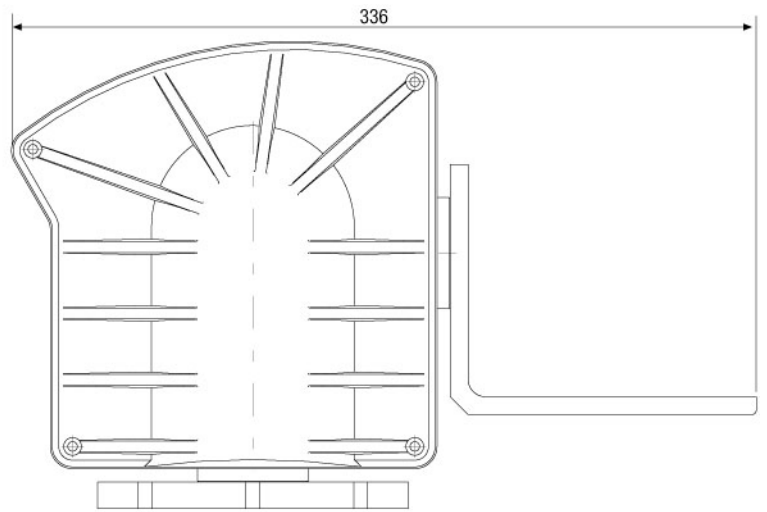
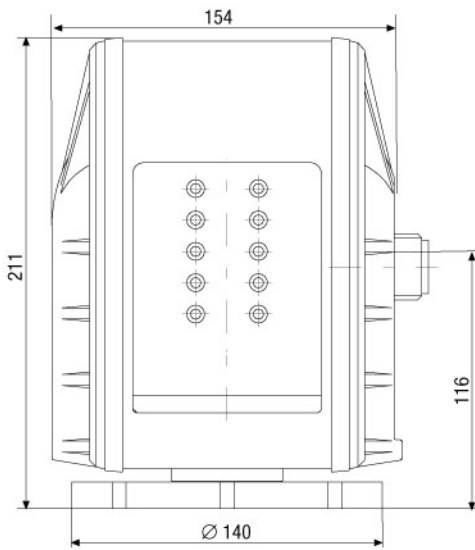
Optional accessories

70457	AK-3	Camera Connection box, 230VAC Input, 24VAC-3.2A, 12VDC-1A Outputs
73139	MK-21	Pole Column Spacer for Pan/Tilt Heads, 200mm Height, RAL7032
73157	WD-32	Wall Bracket for Pan/Tilt Heads VPT-40/501/601/651 Series, RAL7032
73099	WD-2N1	Wall Bracket for Pan/Tilt Heads VPT-40, RAL7032
77489	VPT/IRB-4T	T-Bracket for VPT-40, RAL7032
77488	VPT/IRB-4L	L-Bracket for VPT-40, RAL7032

VPT-40/230V-POT

Home | Security | Pan & Tilt Systems | Fixed Speed

Technical drawing



Maße/Dimensions: mm