

Video Security



VMC-6.8/2-LCD

6.8"(17.3cm) LCD/TFT Colour Monitor
Module, 1152x234 Pixels, 1x CVBS, 12VDC

Art-No. 90434



Features

Display Screen Size: 6.8" (17.3 cm)
Horizontal Resolution: 1152 Pixels
Video CCVS Input
PAL/NTSC Auto Selection

Supply Voltage: 12VDC
Low Power Consumption
Module Housing

Specifications

Video standard	PAL/NTSC
Display element	Colour TFT/LCD, Pixel size: 0.12(H) x 0.442(V), Total no. of pixels: 269,568
Screen size	6.8" (17.3cm)
Contrast ratio typ.	150:1
Angle of view (L/R/B/T) typ.	45°/45°/30°/10°
Scanning frequency range H/V	15,625 / 50Hz 15,750 / 60Hz
Response time (typ.)	Tr: 50ms max. ; Tf: 60ms max.
Horizontal resolution	1152 pixels
Vertical resolution	234 pixels
Synchronization	Internal
Video input	1Vp-p, CVBS, 75 ohms
Audio input	-
Operations	Brightness, Colour contrast (The potentiometers for brightness and contrast control are not included and must be added separately)
Supply voltage	12VDC +/-10%
Power consumption	7watts max.
Connectors	BNC and DC socket
Temperature range	0 to +60°C

VMC-6.8/2-LCD

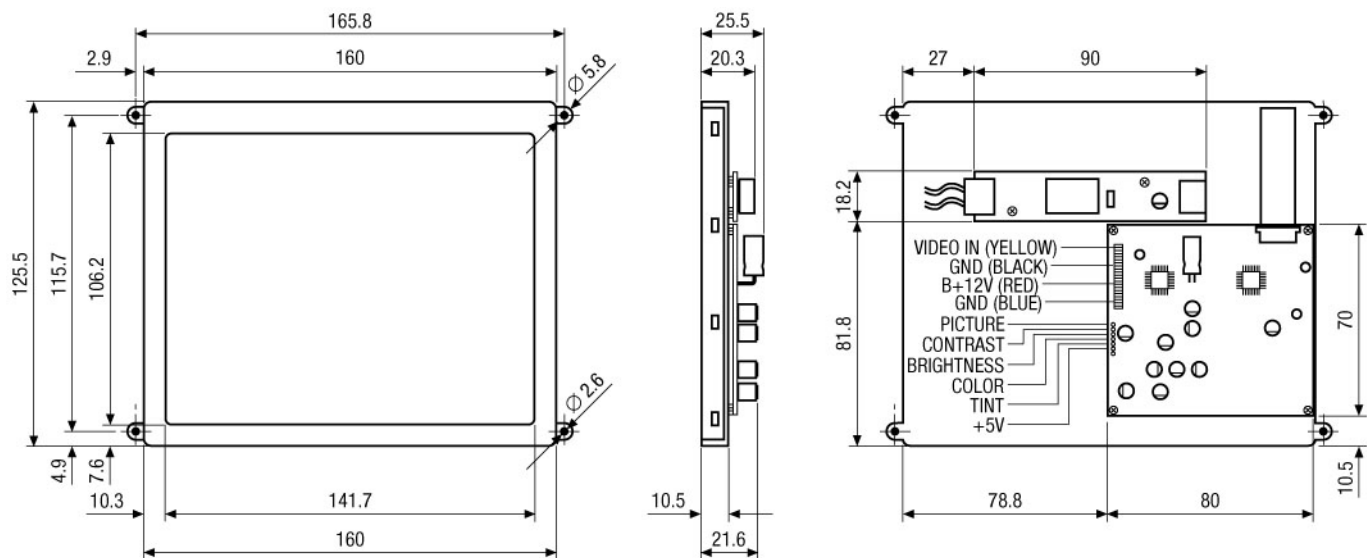
(Specifications continued)

Housing	Module version with aluminium frame
Colour	Aluminium finish (frame)
Dimensions (HxWxD)	See drawing
Weight	180g

Accessories

70447 / VT-PS12DC-5

Plug-in Power Supply Unit 100-240VAC 12VDC (1.0Amp),
Regulated, with DC Plug



Maße/Dimensions: mm

VIDEOR TECHNICAL E. Hartig GmbH
Carl-Zeiss-Straße 8 · 63322 Rödermark · Germany
Telefon +49 (0) 60 74/8 88-0 · Telefax +49 (0) 60 74/8 88-100
info@videortechnical.com · www.videortechnical.com

