



Flat Screen Monitors & Service Monitors

FDP-No. : 90373

VMC-6.4/1-LCD

- Display Screen Size: 6.4" (16.3 cm)
- Horizontal Resolution: 960 Pixels
- Video / Audio Inputs
- On-screen Menu Control
- PAL/NTSC Auto Selection
- Integrated Speaker
- Supply Voltage: 12 VDC
- Low Power Consumption
- Rugged Plastic Housing



Specifications:

Screen size	6.4" (16.3 cm)
Display element	Colour TFT/LCD, Pixel size: 0.136 (H) x 0.416 mm (V), Total no. of pixels: 224,640
Active area	130.6 (H) x 97.3 (V) mm
System	PAL / NTSC
Scanning frequency range H/V	15,625 / 50 Hz 15,750 / 60 Hz
Horizontal resolution	960 pixels
Vertical resolution	234 pixels
Viewing angle	+/- 45°
Video input	1 Vp-p, CCVS, 75 ohms, Cinch adapter cable
Audio input	30 mVp-p to 100 mVp-p
Audio output	0.5 W / 8 ohms
Synchronization	Internal
Operations (Front part)	Power ON/OFF, Brightness, Contrast, Colour contrast, Volume, OSD menu
Supply voltage	12 VDC*) +/-10%
Power consumption	Max. 6 W
Temperature range	-5°C to +50°C

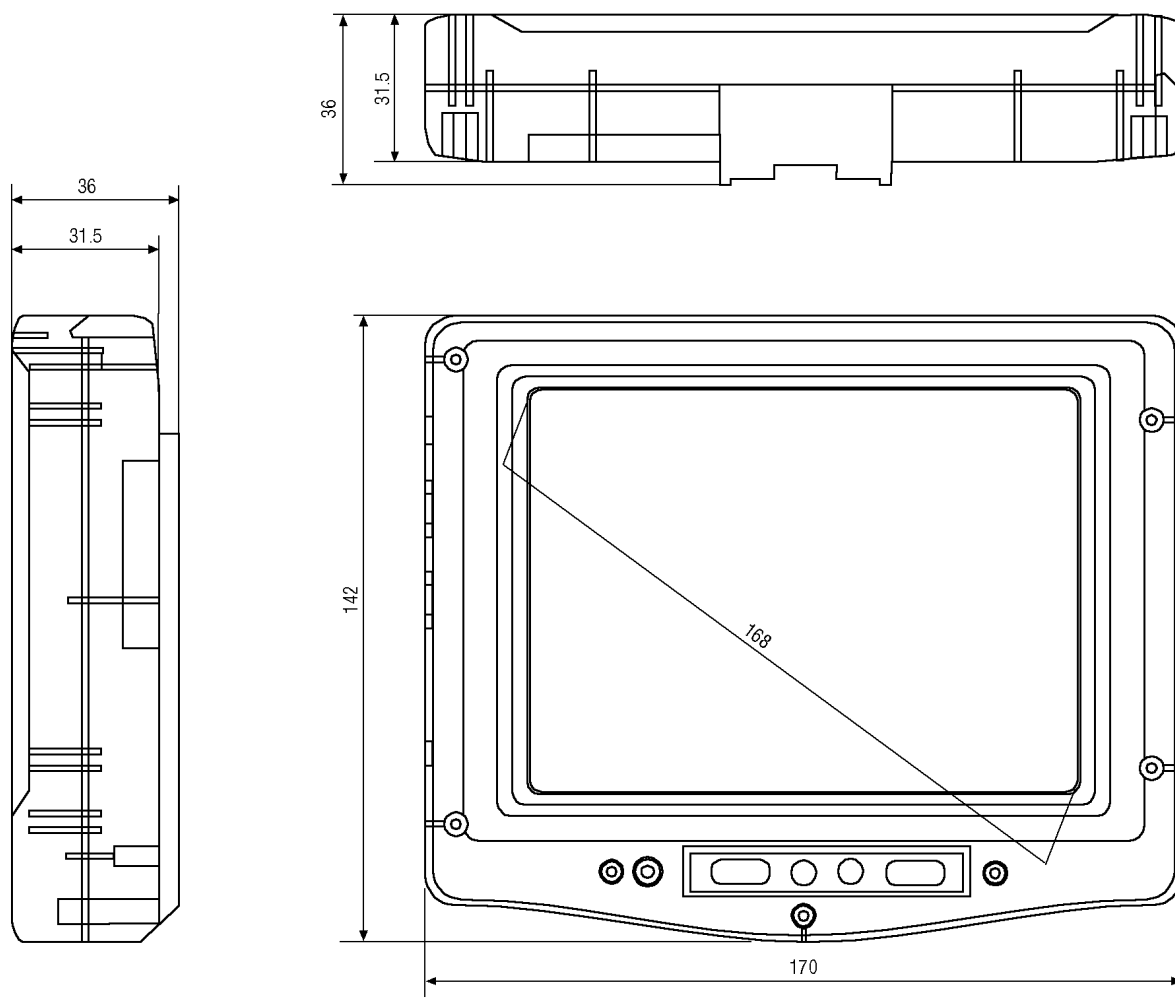
VMC-6.4/1-LCD

Housing	Plastic
Colour	Anthracite
Dimensions (HxWxD)	See drawing
Weight	505 g
Parts supplied	PSU 230V/12 VDC, Stand bracket, Connection cables

Additional descriptions

*) Power supply unit 230 VAC/12 VDC included

Accessories	
EDP No. / Type	Description
83450 A14	Adapter Cinch plug to BNC socket



Maße/Dimensions: mm

e-mail: info@eneo-security.com • www.eneo-security.com