

# Video Security

Monitors | eneo TFT/LCD Monitors

## VMC-6.4/2-MM1

6.4" (16.3cm) LCD/TFT Colour Monitor  
Module, 320x234 Pixels, 2x CVBS, 12VDC

Art-No. 90518



## Features

Display Screen Size: 6.4" (16.3cm)

PAL/NTSC Auto Selection

Resolution of 320x234 Pixels

2x Video CVBS Inputs

On-screen Menu Control

Mirror Function

Supply Voltage: 12VDC

Separate Control Board

Low Power Consumption

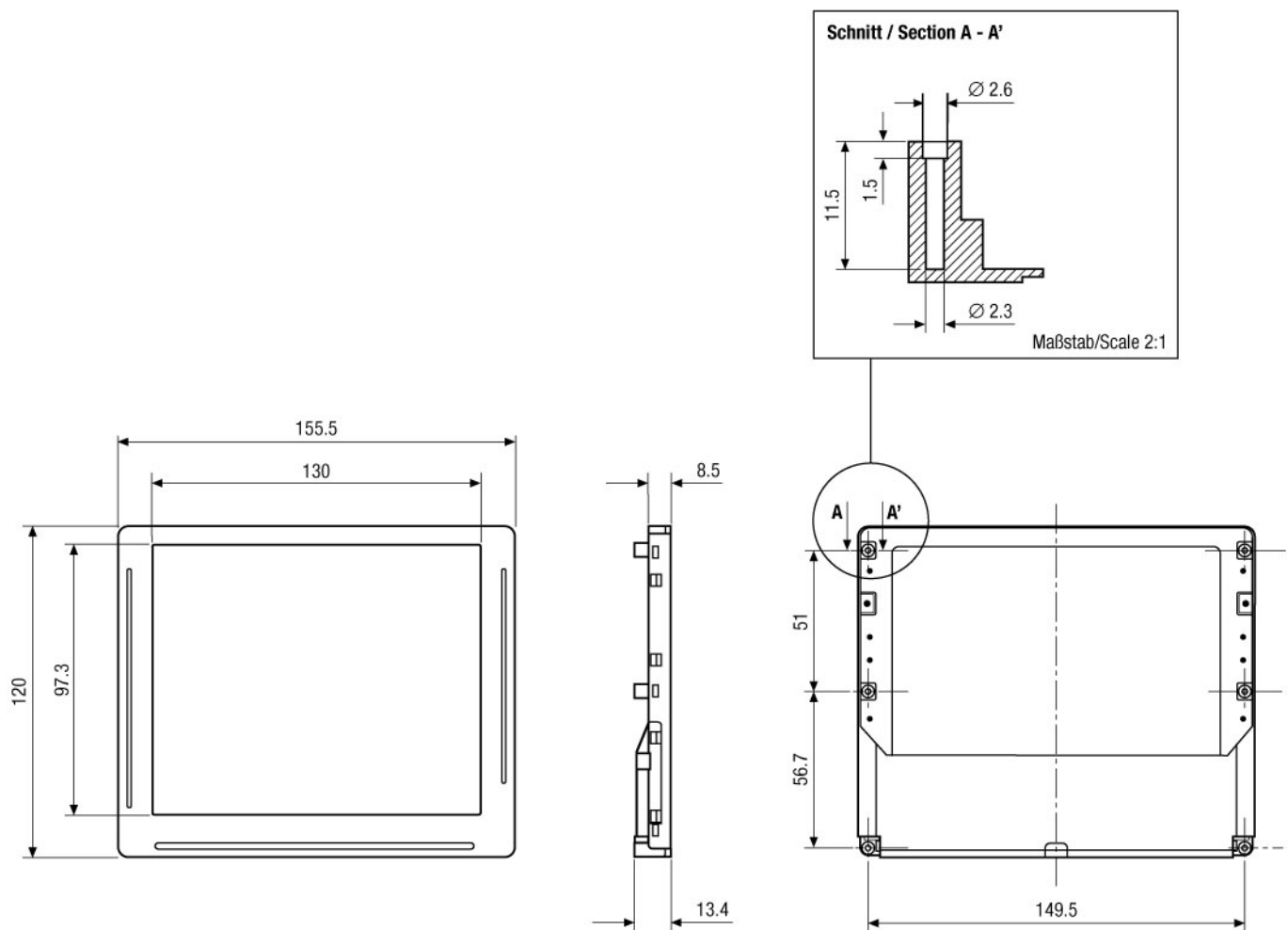
Metal Module Housing

## Specifications

Video standard	PAL / NTSC (auto selection)
Synchronization	Internal
Display element	Colour TFT/LCD
Screen size	6,4" (16,3cm)
Horizontal resolution	approx. 220 TV lines
Resolution pixels	320 x 234
Contrast ratio typical	350:1
Brightness typical	330cd/m2
Viewing angle top	55°
Viewing angle right	60°
Viewing angle bottom	40°
Viewing angle left	60°
Response time typical	40ms, Tr: 15ms, Tf: 25ms
PC interfaces	no
Video inputs (type)	CVBS, VBS
Video inputs	2x 1Vp-p, (C)VBS, 75ohms
Audio inputs	no
Supply voltage	12VDC (+/-10%)
Power consumption	8watts max.

(Specifications continued)

<b>External adjustments</b>	Power ON/OFF, Mode, OSD menu
<b>Connectors</b>	2x BNC socket, DC voltage socket
<b>Temperature range (Operation)</b>	-20°C ~ +70°C
<b>Housing material</b>	aluminium
<b>Colour (housing)</b>	silver
<b>Weight</b>	235g
<b>Parts supplied</b>	Control board
<b>Certificates</b>	n/a
<b>Options</b>	Audio inputs



Maße/Dimensions: mm

VIDEOR TECHNICAL E. Hartig GmbH  
 Carl-Zeiss-Straße 8 · 63322 Rödermark · Germany  
 Telefon +49 (0) 60 74/8 88-0 · Telefax +49 (0) 60 74/8 88-100  
 info@videortechnical.com · www.videortechnical.com

