

Video Security

Dome Cameras | Minidomes

VKD-135

1/3" B&W Dome Camera, In-Ceiling Mount
with 3.7mm lens, 12VDC, 420TVL

Art-No. 91782



Features

For Wall and In-ceiling Mount
Resolution of 420 Horizontal Lines
Built-in Pinhole Lens F2.0/3.7 mm
Electronic Shutter Control (ESC)

Internal Synchronization
Easy Installation
Supply Voltage: 12 VDC

Specifications

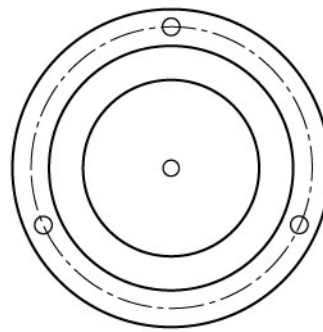
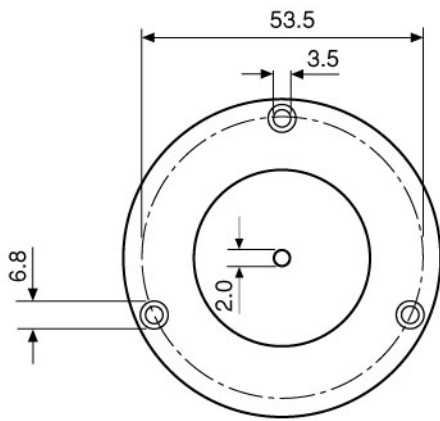
Imager	1/3" Sony Super HAD Interline Transfer CCD
Picture elements	Approx. 290,000 (H) 500 x (V) 582
System	CCIR
Synchronization	Internal
Sensitivity at 50% video signal	2.9Lux at F2.0 (VT measurement result); 1.0Lux at F1.2
Horizontal resolution	420 TV lines
Electronic shutter control (ESC)	1/50 to 1/100,000 sec. (automatic)
Gamma correction	0.45 / 1.0
Dome size	F2.0/3.7 mm
Horizontal angle of view	68°
Horizontal turning range	360°
Vertical tilt range	Approx. +/-60°
External connections	Video (BNC), 12 VDC (Cinch)
Video output	1 Vp-p, VBS, 75 ohms
Supply voltage	12 VDC
Power consumption	1.2watts
Temperature range	-10° to +50°C
Housing	Aluminium
Mounting	Wall and in-ceiling mount
Colour	Grey anodized

(Specifications continued)

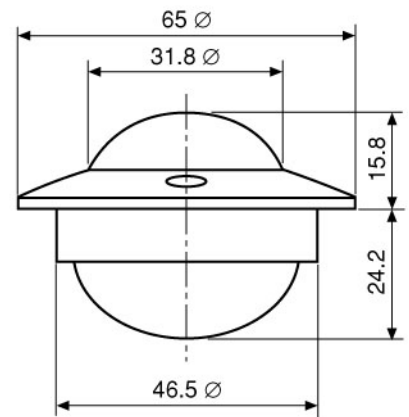
Dimensions (DxH)	See drawing
Weight	125 g

Accessories

77779 / VT-PS12DC-UK	Power Supply Unit w. UK Mains plug-in, 100-240VAC/12VDC-1.0A, Regul., open Ends
70447 / VT-PS12DC-5	Plug-in Power Supply Unit 100-240VAC 12VDC (1.0Amp), Regulated, with DC Plug



Ansicht von unten
Bottom View



Maße/Dimensions: mm