

Video Security

Dome Cameras | Minidomes

VKCD-144/HR

1/4" Colour Dome Camera, Drop Ceiling Mount, with 3.6mm Lens, 12VDC, 480TVL

Art-No. 91837



Wall mount is not included with the dome camera

Features

For Drop Ceiling or Wall Mount

Clear bubble with Inner Liner

Resolution of 480 Horizontal Lines

Sensitivity of 3.5 Lux (F2.0)

Built-in Lens F2.0/3.6 mm

Digital Signal Processing (DSP)

Automatic Shutter Control (AES)

Automatic White Balance (ATW)

Backlight Compensation (BLC)

Easy Installation

Supply Voltage: 12 VDC

Option: Wall Mount Bracket

Specifications

Imager	1/4" Sony Super HAD Interline Transfer CCD
System	CCIR/PAL
Synchronization	Internal
Sensitivity at 50% video signal	3.5Lux at F2.0 (VT measurement result); 1.25Lux at F1.2
Horizontal resolution	480 TV lines
Automatic gain control (AGC)	28 dB, ON/OFF switchable
Automatic shutter (AES)	1/50 to 1/100,000 sec.
White balance (ATW)	2500 to 8000 K (Automatic)
Lens	F2.0/3.6 mm (M9x0.5)
Horizontal angle of view	52°
Horizontal turning range	110° (+/-55°)
Vertical tilt range	65° (25° to 90°, ceiling as reference)
External connections	Video (BNC), 12 VDC (DC socket)
Video output	1 Vp-p, CVBS, 75 ohms
Supply voltage	12 VDC (+/-20%)
Power consumption	1.8watts max.
Temperature range	-10°C to +50°C
Housing	Plastic with clear bubble and black inner liner

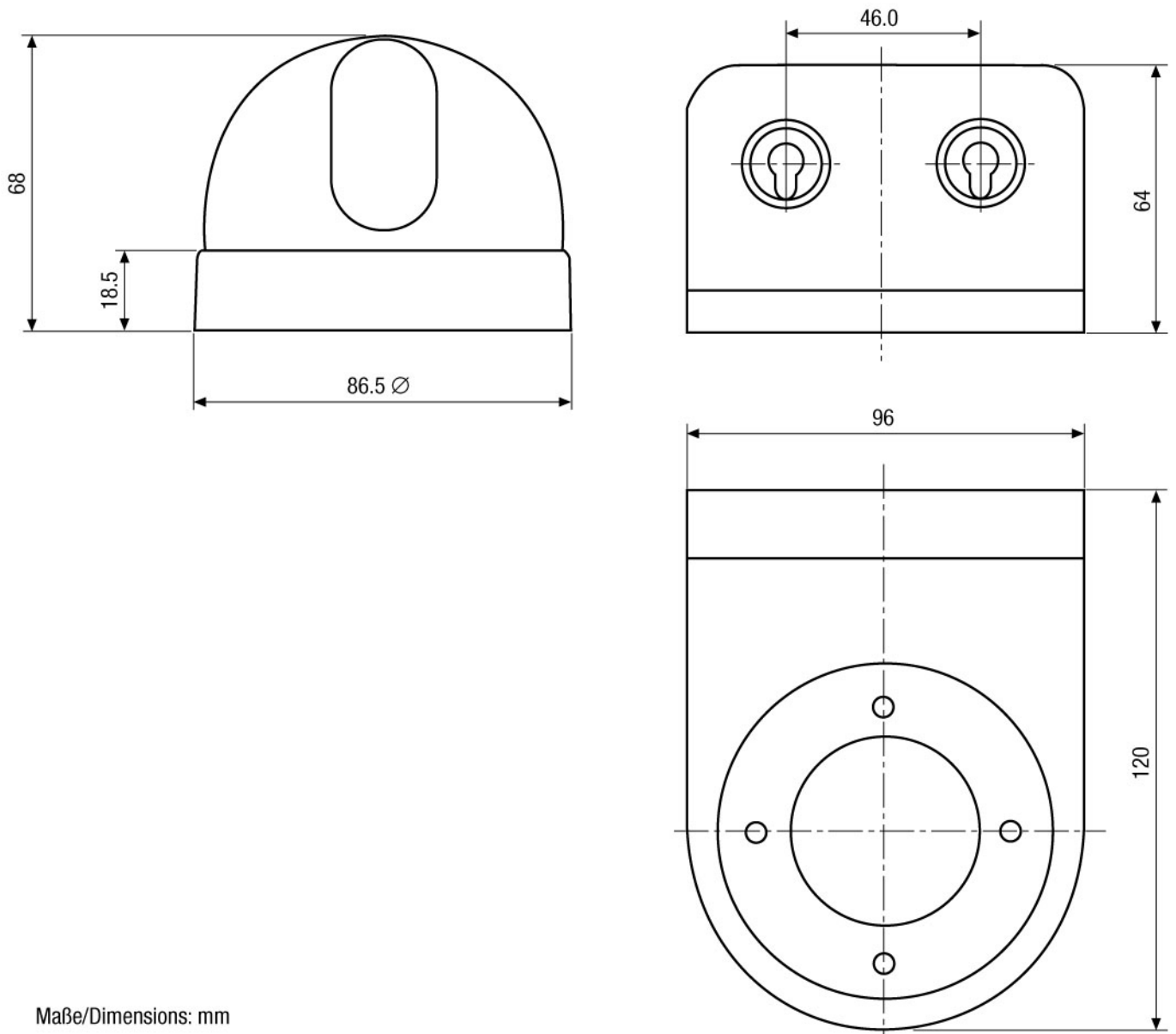
VKCD-144/HR

(Specifications continued)

Mounting	For drop ceiling mount
Housing color	Light grey
Dimensions (DxH)	See drawing
Weight	Approx. 150 g

Accessories

77779 / VT-PS12DC-UK	Power Supply Unit w. UK Mains plug-in, 100-240VAC/12VDC-1.0A, Regul., open Ends
91805 / VKCD/WMB-1	Wall Mount for VKD-136, VKCD-143, VKCD-144/HR
70447 / VT-PS12DC-5	Plug-in Power Supply Unit 100-240VAC 12VDC (1.0Amp), Regulated, with DC Plug



Maße/Dimensions: mm

VIDEOR TECHNICAL E. Hartig GmbH
Carl-Zeiss-Straße 8 · 63322 Rödermark · Germany
Telefon +49 (0) 60 74/8 88-0 · Telefax +49 (0) 60 74/8 88-100
info@videortechnical.com · www.videortechnical.com