



Covert & Fixed Dome Cameras

FDP-No.: 91787

VKCD-134

- For Wall and Drop Ceiling Mount
- Resolution of 380 Horizontal Lines
- Built-in Pinhole Lens F2.0/3.7 mm
- Electronic Shutter Control (ESC)
- Internal Synchronization
- Easy Installation
- Supply Voltage: 12 VDC



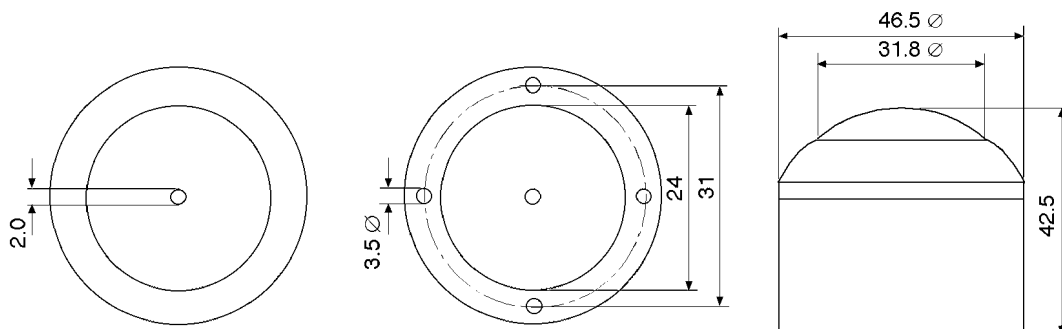
Specifications:

Imager	1/3" Interline transfer CCD
System	CCIR/PAL
Synchronization	Internal
Sensitivity at 50% video signal	5.6 Lux at F2.0 (VT measurement result)
Sensitivity	5.6 Lux at F2.0 (Manufacturer spec.)
Horizontal resolution	>380 TV lines
Picture elements	Approx. 290,000 (H) 500 x (V) 582
Signal-to-noise ratio	>45 dB (AGC OFF)
Linear shutter (ESC)	1/50 to 1/100,000 sec. (automatic)
Video output	1 Vp-p, CVS, 75 ohms
Gamma correction	0.45
Pinhole lens	F2.0/3.7 mm
Horizontal angle of view	73°
Supply voltage	12 VDC +/-10%
Power consumption	2.2 W max.
Mounting	Wall and drop ceiling mount
External connections	Video (BNC), 12 VDC (Cinch)
Horizontal turning range	360°
Vertical turning range	Approx. +/-60°

VKCD-134

Temperature range	-10° to +45°C
Housing	Aluminium
Colour	Grey anodized
Dimension (HxD)	See drawing
Weight	120 g

Accessories	
EDP No. / Type	Description
70443 VT-PS12DC-4	Power supply unit 230 VAC/12 VDC stabilized with DC plug
77779 VT-PS12DC/UK	Power supply unit 230VAC/12VDC-500mA w. UK mains connector



Ansicht von unten
Bottom View

Maße/Dimensions: mm

e-mail: info@eneo-security.com • www.eneo-security.com