

Video Security



VKCD-136/VAR39

1/3" Colour/B&W Surface Mount Camera
with F1.2/3-9mm Lens, 12VDC, 480TVL

Art-No. 91998



Features

Colour/B&W Dome Camera w. integrated IR Cut Filter
For Drop Ceiling or Wall Mount
Clear bubble with Inner Liner
Resolution of 480 Horizontal Lines
Sensitivity of 0.014Lux (Sens-up ON)
Built-in Lens F1.2/3-9mm with DC Iris

Digital Signal Processing (DSP)
High and Low Speed Shutter (AES+Sens-up)
Automatic White Balance (ATW)
Backlight Compensation (BLC)
Easy Installation
Supply Voltage: 12VDC

Specifications

| | |
|--|---|
| Imager | 1/3" Sony Super HAD Interline Transfer CCD |
| System | CCIR/PAL |
| Function modes | Colour and B&W (IR mode not available, because of a fixed cut filter included) |
| Synchronization | Internal |
| Sensitivity at 50% video signal | 0.72Lux at F2.0 (DSS OFF); 0.014Lux (32Fields integration) 0.25Lux at F1.2 (DSS OFF); 0.005Lux (32Fields integration) |
| Horizontal resolution | 480 TV lines |
| Automatic gain control (AGC) | ON/OFF switchable |
| Shutter speed | 1/2 ~ 1/100,000sec. (Automatic) |
| Auto electric sensitivity-up function | 16/32 fields/sec. (selectable) |
| Aperture Correction (APC) | Horizontal and vertical |
| White balance (ATW) | 2000 ~ 8000K (Automatic) |
| Backlight compensation (BLC) | ON/OFF switchable, Center weighted |
| Lens | F1.2/3 ~ 9mm with galvanometer controlled iris |
| Focus range | 0.5m ~ ∞ |
| Horizontal angle of view | Approx. 86° ~ 44° |

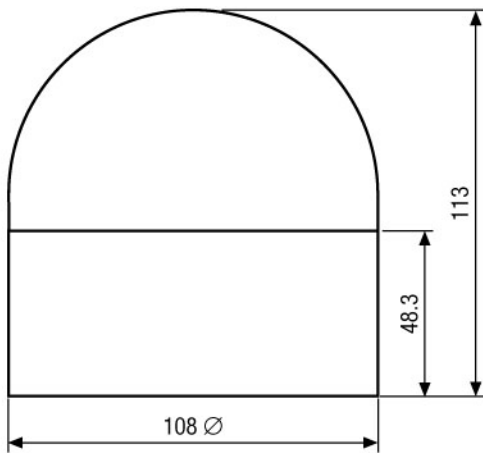
VKCD-136/VAR39

(Specifications continued)

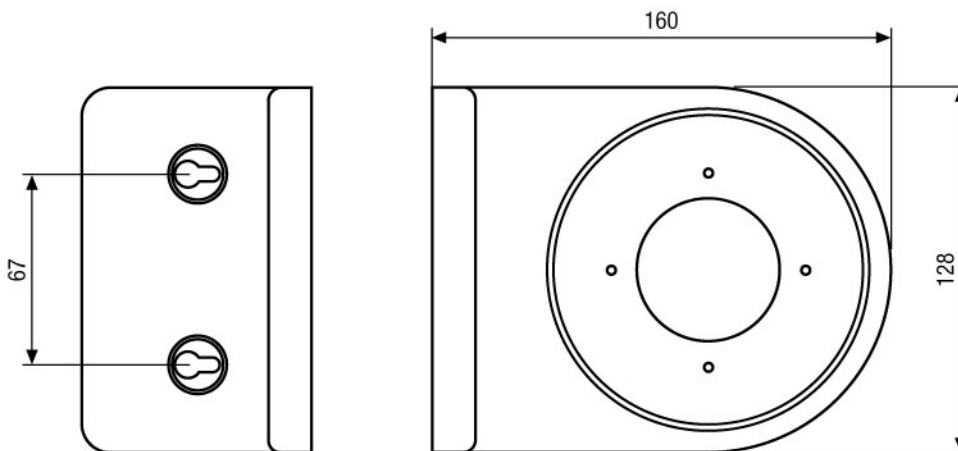
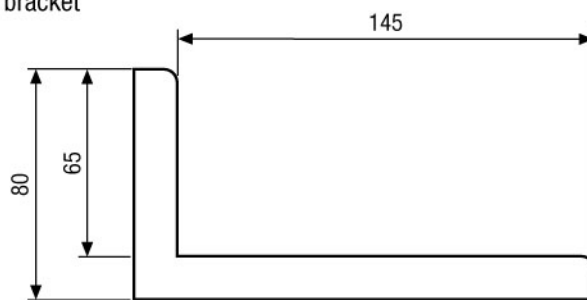
| | |
|---------------------------------|---|
| Horizontal turning range | 350° (+/-175°) |
| Vertical tilt range | 80° (10° ~ 90°, ceiling as reference) |
| External connections | Video (BNC), 12VDC (DC socket) |
| Video output | 1Vp-p, CVBS, 75ohms |
| Supply voltage | 12VDC (+/-20%) |
| Power consumption | 3.0watts max. |
| Temperature range | -10°C ~ +50°C |
| Housing | Plastic with clear bubble and black inner liner |
| Mounting | For wall and drop ceiling mount |
| Housing color | Black |
| Dimensions (HxWxD) | See drawing |
| Weight | Approx. 300g |

Accessories

| | |
|-----------------------------|---|
| 91883 / VKCD/WMB-2 | Wall Mount Bracket, Grey, for VKCD-136, VKCD-145, VKCD-146, VKCD-1310 |
| 77779 / VT-PS12DC-UK | Power Supply Unit w. UK Mains plug-in, 100-240VAC/12VDC-1.0A, Regul., open Ends |
| 70447 / VT-PS12DC-5 | Plug-in Power Supply Unit 100-240VAC 12VDC (1.0Amp), Regulated, with DC Plug |
| 92047 / VKCD/WMB-2SW | Wall Mount Bracket, Black, for VKCD-136, VKCD-145, VKCD-146, VKCD-1310 |
| 77772 / VT-PS12DCDT | PSU 12VDC/0,5A, Regulated, Desktop Version, 1.8m Cable each w. open ends |



Wandhalterung / Wall bracket
VKCD-145/136-WM



Maße/Dimensions: mm