

VKCD-1326/IR

Home | Security | Dome Cameras | Fixed

VKCD-1326/IR

1/3" Dome, Fixed, Day&Night, tinted, 3.8-9.5mm,

550TVL, IR Illumination, 12V

Art-Nr. 92221



Main Features

1/3" Super HAD Colour/B&W CCD Sensor
Integrated F1.2/3.8-9.5mm Varifocal DC Iris Lens
Removable IR Cut Filter
Sensitivity of 0.2Lux at F1.2 (Colour)
Backlight Compensation (BLC)
Flickerless ON/OFF

Automatic Gain Control (AGC)
Automatic White Balance (AWB)
IR Illumination by 20 integral 850nm LEDs
Manual 3-axis Camera Gimbal
Supply Voltage 12VDC
For Wall and Ceiling Surface Mount

Specifications

System	day&night, CCIR/PAL
Sensor size	1/3"
Imager	CCD, Sony Super HAD CCD
Active picture elements	440,000, 752(H) x 582(V)
Synchronization	Internal
Signal-to-noise ratio	50dB (AGC OFF)
Sensitivity (at 50% video signal)	1.5Lux at F1.2 (colour); 0.19Lux at F1.2 (B&W)
Horizontal resolution	550 TVL
Rotation range	360°
Automatic gain control (AGC)	Automatic (On/Off switchable)
Automatic electronic shutter (ESC)	1/50 ~ 1/100,000sec.
Low Speed Shutter	yes
Low speed shutter	32fps max. On/Off switchable

VKCD-1326/IR

(Continuation Specifications)

Digital Noise Reduction (DNR)	yes
Flickerless function	On/Off switchable
White balance (AWB)	Automatic control
Automatic white balance (AWB)	Available
Backlight compensation	BLC
Wide Dynamic Range (WDR)	no
Backlight compensation	ON/OFF switchable
Aperture Correction (APC)	Horizontal and vertical
IR cut filter	switchable
Video outputs	CVBS, 1Vp-p, (C)VBS, 75ohms, BNC
Lens mount	integrated lens
Lens type	varifocal
Aspherical technology	yes
Focal length	3,8 mm - 9,5 mm
Horizontal angle of view	74,2° - 30°
Iris control	DC
MOD (Minimum object distance)	0,15 m
Focus range	0.15m ~∞
Filter screw size	not available
Illumination	20x IR LED's 850nm. Due to an integrated light sensor the LED illumination will be switched ON/OFF, depending on environmental illumination conditions.
Illumination range	approx. 20m (at a good light reflexion and 40% Videosignal)
Motion Detection Function	no
Day / Night Switching	Automatic (camera controlled)
Internal adjustments	Automatic Gain Control (AGC), Back Light Compensation (BLC), Shutter Low Speed (DSS), Day / Night, Flickerless ON / OFF
External connections	Video (BNC), Power input
Serial interfaces	no
Heater	no
Protection rating	IP65, at installation according to the manual
Supply voltage	12VDC
Power consumption	6watts
Vandalism resistant	yes
Colour (bubble)	tinted
Mounting	For wall and drop ceiling mount
Camera adjustment	3-axis camera adjustment
Camera fixing	dome
Camera mount	See drawing
Mounting	surface mount, wall mount

VKCD-1326/IR

(Continuation Specifications)

Housing	Outdoor
Housing material	Metal
Colour (housing)	Pantone Cool Gray 1C
Dimensions (HxWxD)	See drawing
Weight	880g
Parts supplied	Mounting screw kit, Service monitor cable, Manual
Certificates	CE

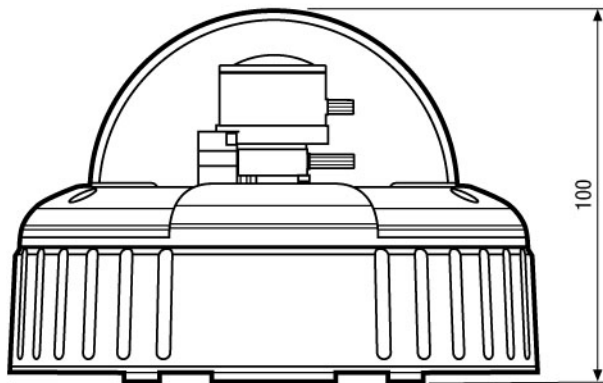
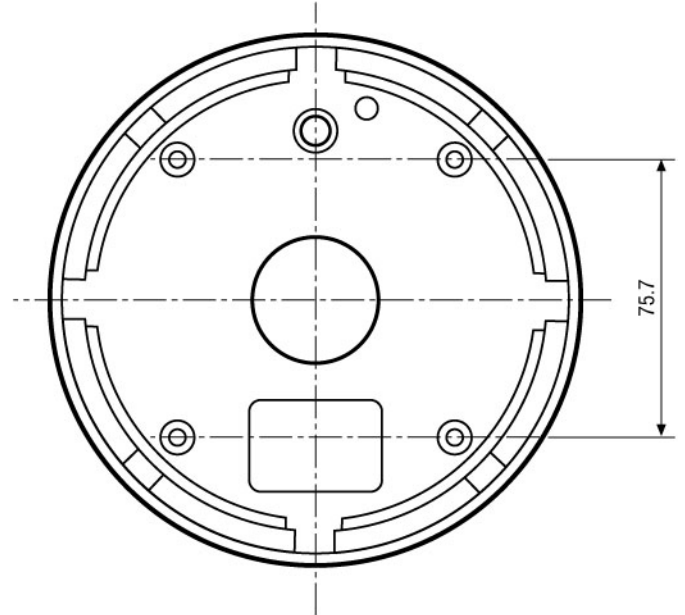
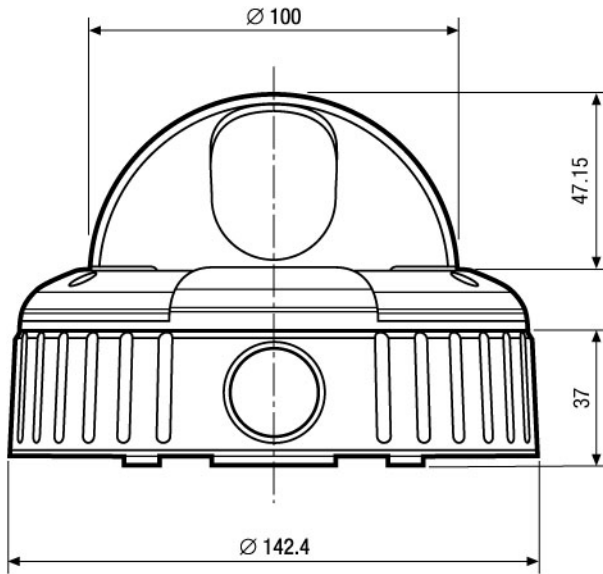
Optional accessories

70535	VT-PS12DC-8	Plug-in Power Supply Unit 100-240VAC 12VDC (1.0Amp), Regulated, with DC Plug
70495	VT-PS12DC-7	Plugable PSU w. Cont. & UK Mains plug-in 100-240VAC/12VDC-1.25A, Regulated
77773	VT-PS12DCDT1	PSU 12VDC/1.0A, Regulated, Desktop Version, 1.8m Cables each w. open ends
74151	VDOME/WB2	Wall Mount Kit for Vandalism Resistant Dome Cameras SM/VF Series
88149	3/4"- M25X1.5	Thread Adapter 3/4"- Conduit Connection M25x1.5mm for Dome Surface Mount Housing

VKCD-1326/IR

Home | Security | Dome Cameras | Fixed

Technical drawing



Maße/Dimensions: mm