

Video Security

Dome Cameras | eneo Vandalism-Proof Fix Domes

VKCD-1317SMH/VF

1/3"D&N Dome Camera, Surface Mnt., Heater
F1.2/3.8-9.5mm, 12VDC/24VAC, 550TVL

Art-No. 92097



Features

For Wall and Ceiling Surface Mount

Vandal and Tamper-Resistant

Tinted Lexan Bubble 100mm, with Heater

1/3" Board Camera with Super HAD CCD

Integrated F1.2/3.8-9.5mm Varifocal DC Iris Lens

Resolution of 550 Horizontal Lines

Digital Signal Processing (DSP)

Back Light Compensation (BLC)

Automatic White Balance (ATW)

Manual 3-axis Camera Adjustment

For Easy Indoor and Outdoor Installation (IP65)

Supply Voltage 12VDC/24VAC

Specifications

Video standard	CCIR/PAL
System	day&night
Sensor size	1/3"
Imager	CCD, Sony Super HAD Interline Transfer CCD
Active picture elements	approx. 440,000, 752(H) x 582(V)
Synchronization	Internal
Signal-to-noise ratio	48dB
Sensitivity (at 50% video signal)	0,8Lux, at colour and F1.2 (VT measurement result including bubble)
Horizontal resolution	550TVL
Rotation range	manual: 360°
Automatic gain control (AGC)	On/Off switchable
Gamma correction	approx. 0.45
Automatic shutter (AES)	1/50 ~ 1/100.000sec. (not available during Auto Iris ON)
Integration rate	no
Flickerless function	On/Off switchable
White balance (AWB)	Automatic control
Backlight compensation	BLC, On/Off switchable

VKCD-1317SMH/VF

(Specifications continued)

Aperture Correction (APC)	Horizontal and vertical
IR cut filter	yes
Video outputs (type)	CVBS, VBS
Video outputs	1Vp-p, (C)VBS, 75ohms, BNC
Lens mount	integrated lens
Lens type	varifocal
Lens	F1.2/F2.0~360 / 3.8~9.5mm with galvanometer controlled iris
Application range	security
Nominal format size	1/3"
Aspherical technology	yes
Focal length	3,8-9,5mm
Horizontal angle of view	74,2-30°
Iris control	DC
Mount	n/a
Cable connection	Wiring for video and voltage supply made, accessible from outside
Serial interfaces	no
Temperature range (Operation)	-10° ~ +50°C
Heater	24V/10watts (approx. 1/2 heater power at 12V), yes
Temperature range with built-in heater	-20°C ~ +50°C
Protection rating	IP65, at installation according to the manual
Supply voltage	12VDC, 24VAC, (±0.5V)
Power consumption	3.0watts max. (camera only)
Vandalism resistant	yes
Bubble	100mm diameter, Vandal resistant 3mm -tinted-polycarbonate with high resistance
Colour (bubble)	tinted
Camera adjustment	3-axis camera adjustment: 360° horizontal rotation / +45° tilt rotation, 360° pan rotation
Camera fixing	no
Mounting	surface mount, wall mount
Housing	indoor housing, Die-cast aluminium with tinted polycarbonate bubble
Housing material	aluminium
Colour (housing)	Pantone Cool Gray 1C
Dimensions (HxWxD)	See drawing
Weight	approx. 840g
Parts supplied	Mounting screw kit, Torx wrench key, Service monitor cable (Cinch plug), Guide pattern, Manual

Accessories

70447 / VT-PS12DC-5	Plug-in Power Supply Unit 100-240VAC 12VDC (1.0Amp), Regulated, with DC Plug
----------------------------	--

(Accessories continued)

77773 / VT-PS12DCDT1

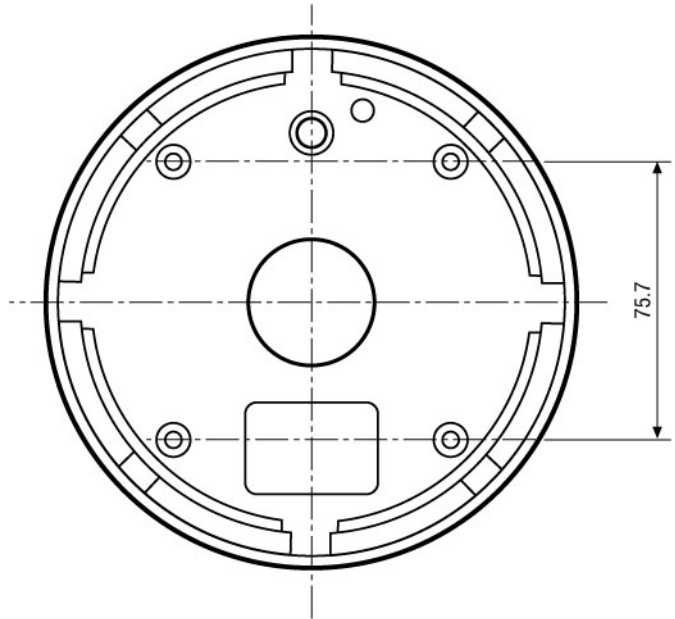
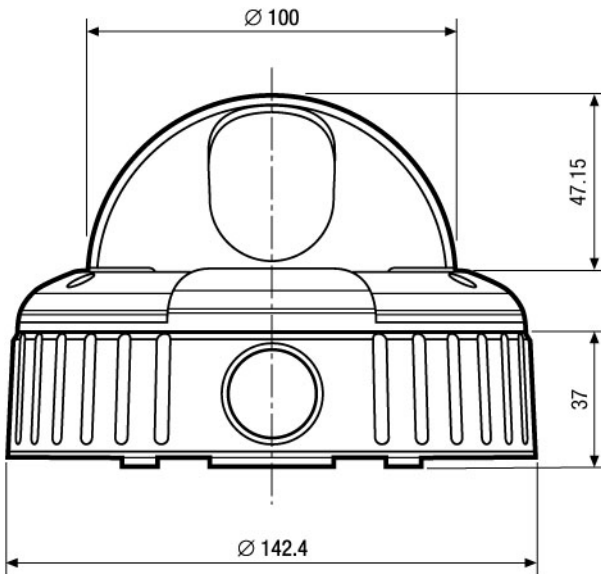
PSU 12VDC/1.0A, Regulated, Desktop Version, 1.8m Cables each w. open ends

74126 / VDOME/WB1

Wall Mount Kit for Vandalism Resistant Dome Cameras SM/VF Series

88149 / 3/4" - M25X1.5

Thread Adapter 3/4" - Conduit Connection M25x1.5mm for Dome Surface Mount Housing



Maße/Dimensions: mm

VIDEOR TECHNICAL E. Hartig GmbH
 Carl-Zeiss-Straße 8 · 63322 Rödermark · Germany
 Telefon +49 (0) 60 74/8 88-0 · Telefax +49 (0) 60 74/8 88-100
 info@videortechnical.com · www.videortechnical.com

