

# Video Security



## VKCD-1312FM/MF

1/3" Colour Dome Camera, In-ceiling Mount with 3.8mm Lens, 12VDC, 380TVL

Art-No. 92051



## Features

For Wall and In-ceiling Mount  
 Vandal and Tamper-Resistant  
 Tinted Lexan Bubble, 100mm  
 1/3" Colour Board Camera with Super HAD CCD  
 Integrated Lens F2.0/3.8mm  
 Resolution of 380 Horizontal Lines

Automatic Shutter Control up to 1:10,000Sec.  
 Digital Signal Processing (DSP)  
 Back Light Compensation (BLC)  
 Automatic White Balance (ATW)  
 Manual 3-axis Camera Adjustment  
 For Easy Indoor and Outdoor Installation (IP65)

## Specifications

System	CCIR/PAL
Imager	1/3" Sony Super HAD CCD
Active picture elements	Ca. 290.000, (H) 500 x (V) 582 Pixels
Horizontal resolution	380 TV lines
Sensitivity at 50% video signal	0.3 Lux at F1.2 (VT measurement result including bubble)
Signal-to-noise ratio	48dB (AGC OFF)
Gamma correction	Approx. 0.45
Synchronization	Internal
Automatic shutter (AES)	Not available
Flickerless function	On/Off switchable
Automatic gain control (AGC)	On/Off switchable
Backlight compensation (BLC)	On/Off switchable
Aperture Correction (APC)	Horizontal and vertical
White balance (AWB)	Automatic control
Lens	F2.0/3.8mm
Horizontal angle of view	65°
Video output	1Vp-p, CVBS, 75ohms
Supply voltage	12VDC (9 ~ 15VDC), 12VDC ±0,5V recommended

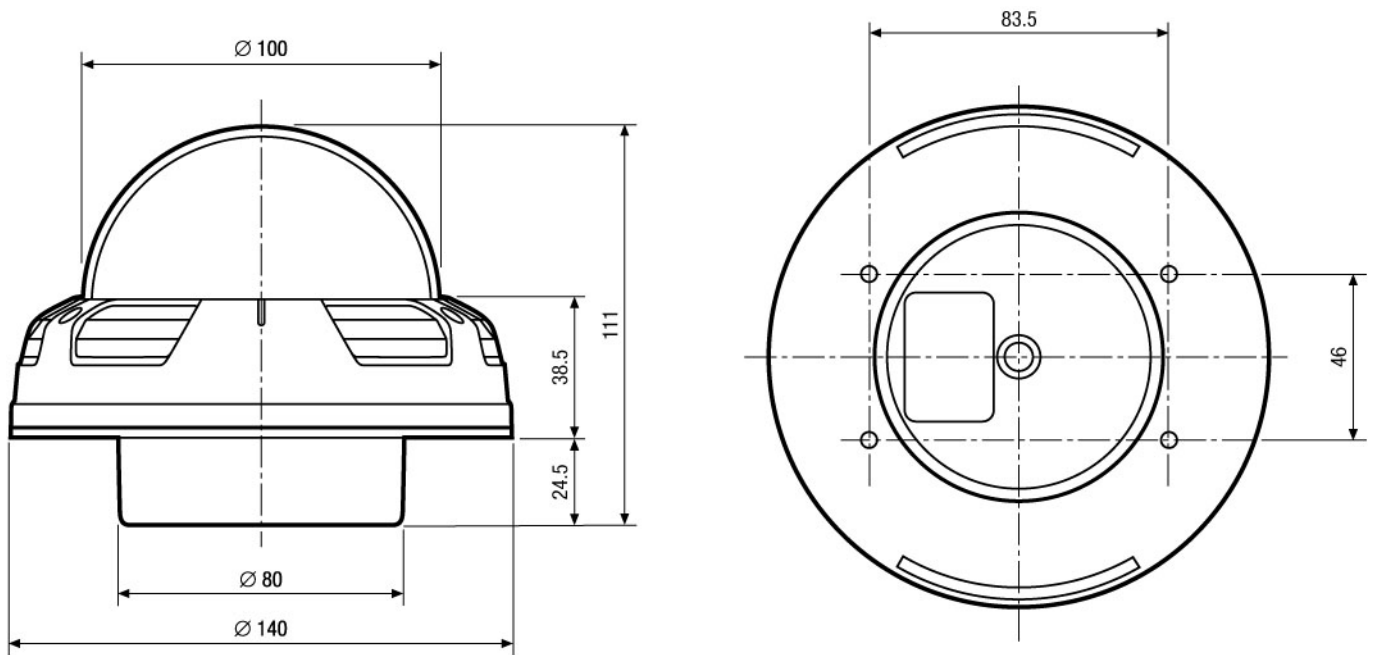
## VKCD-1312FM/MF

(Specifications continued)

<b>Power consumption</b>	3.0watts max.
<b>Camera adjustment</b>	3-axis camera adjustment: 360° horizontal rotation / +45° tilt rotation, 360° pan rotation
<b>Housing</b>	Die-cast aluminium with tinted polycarbonate bubble
<b>Bubble</b>	100mm diameter, Vandal resistant 3mm -tinted-polycarbonate with high resistance
<b>Protection rating</b>	IP65 (at installation according to the manual)
<b>Temperature range</b>	-10°C ~ +50°C
<b>Cable connection</b>	Video (BNC), 12VDC (DC jack)
<b>Dimensions (HxWxD)</b>	See drawing
<b>Weight</b>	630g
<b>Parts supplied</b>	Mounting screw kit, Torx wrench key, Service monitor cable (Cinch plug), Guide pattern, Manual

## Accessories

<b>77779 / VT-PS12DC-UK</b>	Power Supply Unit w. UK Mains plug-in, 100-240VAC/12VDC-1.0A, Regul., open Ends
<b>70447 / VT-PS12DC-5</b>	Plug-in Power Supply Unit 100-240VAC 12VDC (1.0Amp), Regulated, with DC Plug
<b>77772 / VT-PS12DCDT</b>	PSU 12VDC/0,5A, Regulated, Desktop Version, 1.8m Cable each w. open ends



Maße/Dimensions: mm

VIDEOR TECHNICAL E. Hartig GmbH  
Carl-Zeiss-Straße 8 · 63322 Rödermark · Germany  
Telefon +49 (0) 60 74/8 88-0 · Telefax +49 (0) 60 74/8 88-100  
info@videortechnical.com · www.videortechnical.com



**VIDEOR TECHNICAL**