

Video Security



VKC-148/WDDG1

1/4" Colour Dome Camera, In-Ceiling Mount, with 2,9mm Lens, 12VDC, 470TVL

Art-No. 91894



Features

For Wall and In-ceiling Mount
Vandal and Tamper-Resistant
Clear Lexan Bubble with Inner Liner
1/4" CCD Colour Board Camera
Resolution of 470 Horizontal Lines
Electronic Shutter Control (ESC)

Automatic Gain Control (AGC)
Back Light Compensation (BLC)
Automatic White Balance (AWB)
Integrated Lens: F2.0/2.9mm
Manual 3-axis Camera Adjustment
For Easy Indoor Installation

Specifications

| | |
|----------------------------------|--|
| System | CCIR/PAL |
| Imager | 1/4" Sony Super HAD Interline Transfer CCD |
| Active picture elements | Approx. 440,000 (H) 752 x (V) 582 pixels |
| Horizontal resolution | 470 TV lines |
| Sensitivity at 50% video signal | 1,75Lux at F2.0 (VT measurement result); 0.63Lux at F1.2 |
| Gamma correction | Approx. 0.45 |
| Synchronization | Internal |
| Electronic shutter control (ESC) | 1/50 ~ 1/100,000sec. (ON/OFF switchable) |
| Automatic gain control (AGC) | ON/OFF switchable |
| Backlight compensation (BLC) | ON/OFF switchable |
| White balance | Automatic (ON/OFF switchable) |
| Lens | F2.0/2.9mm w/o. iris |
| Horizontal angle of view | 63° |
| Video output | 1Vp-p, CVBS, 75ohms |
| Supply voltage | 12VDC (+/-10 %) |
| Power consumption | Approx. 1.5watts |
| Housing | Die-cast aluminium with clear polycarbonate bubble |

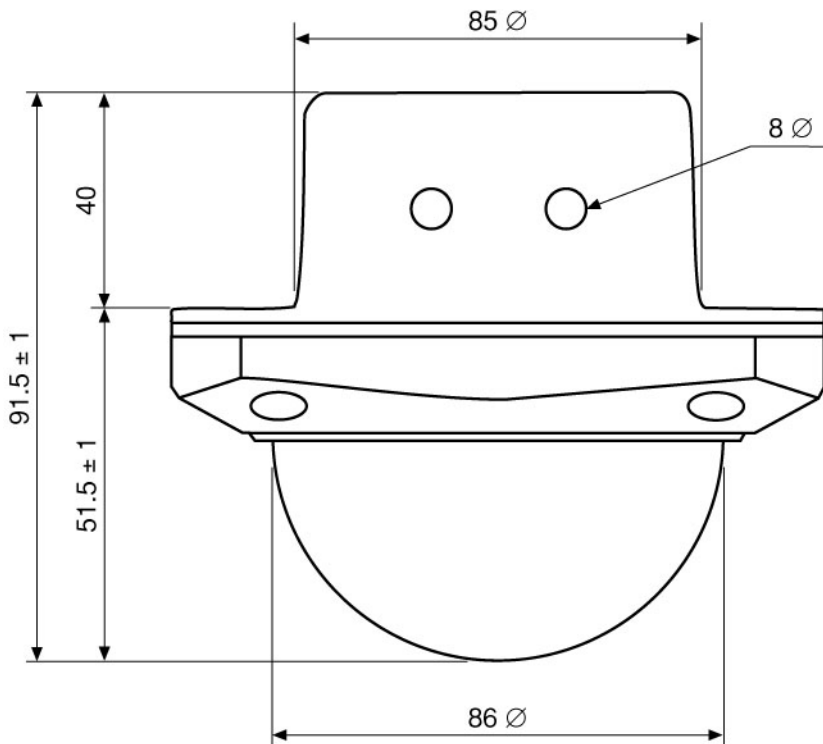
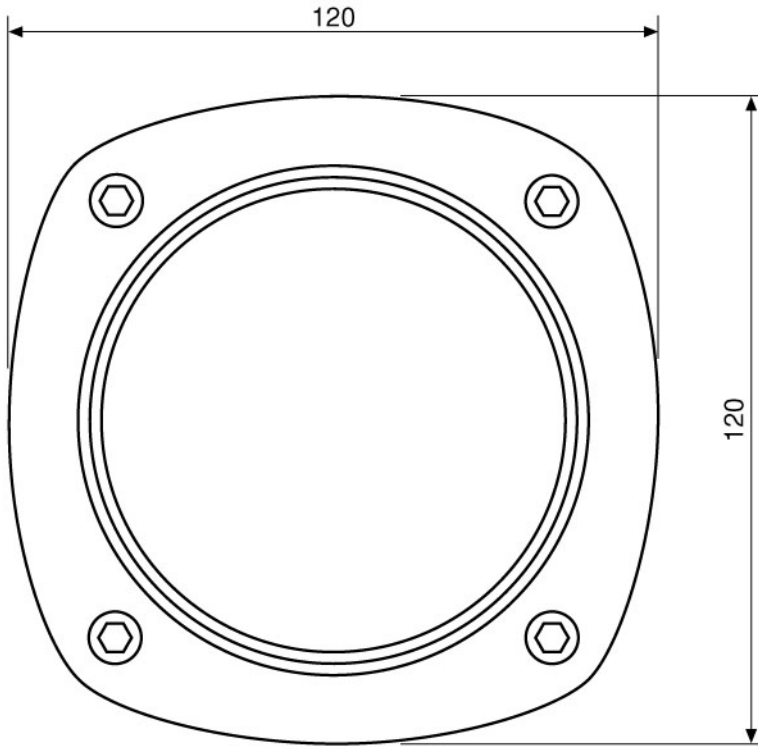
VKC-148/WDDG1

(Specifications continued)

| | |
|---------------------------|--|
| Bubble | Vandal resistant 3mm clear polycarbonate bubble with inner liner |
| Colour | Pantone Coolgray 1C |
| Cable entry | 2x 8mm holes with rubber glands |
| Protection rating | IP65 (at installation according to the manual) |
| Temperature range | -10°C ~ +50°C |
| Cable connection | Open leads |
| Dimensions (HxWxD) | See drawing |
| Weight | Approx. 750g |
| Parts supplied | Mounting kit, Torx wrench key |

Accessories

| | |
|-----------------------------|---|
| 77779 / VT-PS12DC-UK | Power Supply Unit w. UK Mains plug-in, 100-240VAC/12VDC-1.0A, Regul., open Ends |
| 40061 / H0820M | F2.0/8mm Board Camera Lens, 1/3" M12X0.5 |
| 40064 / H0320M | F2.0/3.6mm Board camera lens, 1/3" M12x0.5 |
| 70448 / VT-PS12DC-6 | Plug-in Power Supply Unit 100-240VAC 12VDC (1.0Amp), Regulated, w. Open Ends |
| 77772 / VT-PS12DCDT | PSU 12VDC/0,5A, Regulated, Desktop Version, 1.8m Cable each w. open ends |



Maße/Dimensions: mm

VIDEOR TECHNICAL E. Hartig GmbH
 Carl-Zeiss-Straße 8 · 63322 Rödermark · Germany
 Telefon +49 (0) 60 74/8 88-0 · Telefax +49 (0) 60 74/8 88-100
 info@videortechnical.com · www.videortechnical.com