



Covert & Fixed Dome Cameras

FDP-No.: 91803

VKC-147/SMD

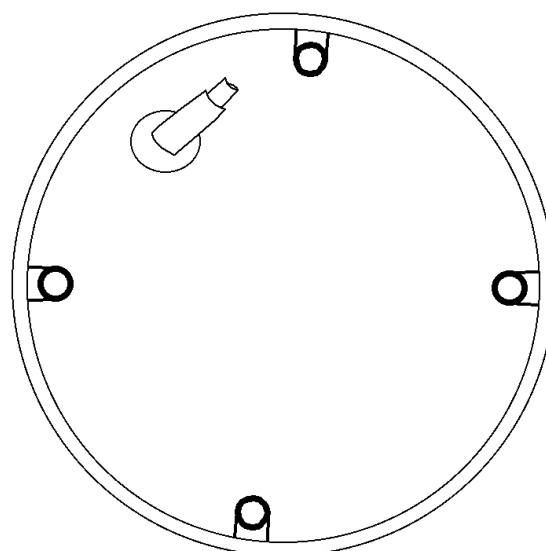
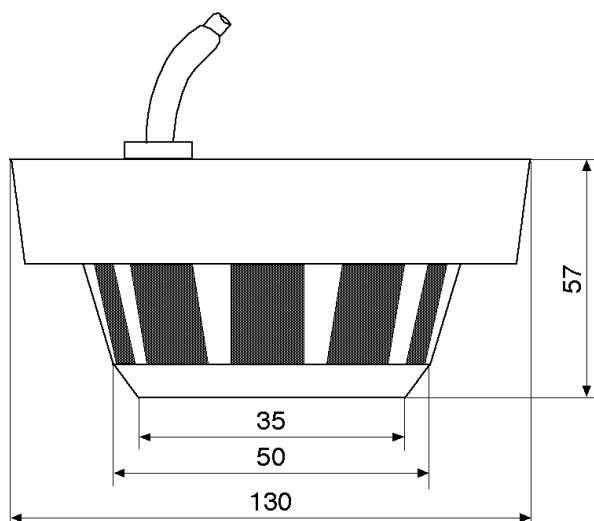
- For Wall and Drop Ceiling Mount
- Resolution of 330 Horizontal Lines
- Built-in Pinhole Lens F2.0/3.6 mm
- Electronic Shutter Control (ESC)
- Internal Synchronization
- Easy Installation
- Supply Voltage: 12 VDC



Specifications:

Imager	1/4" Interline transfer CCD
System	CCIR/PAL
Synchronization	Internal
Sensitivity at 50% video signal	4.9 Lux at F2.0 (VT measurement result)
Horizontal resolution	330 TV lines
Picture elements	Approx. 290,000 (H) 512 x (V) 582
Signal-to-noise ratio	47 dB (AGC OFF)
Linear shutter (ESC)	1/50 to 1/100,000 sec. (automatic)
Video output	1 Vp-p, CCVS, 75 Ohm
Gamma correction	0.45
Lens	F2.0/3.6 mm
Supply voltage	12 VDC +/-10 %
Power consumption	1.8 W
Mounting	Wall and drop ceiling mount
Temperature range	-10° to +50°C
Housing	Plastic
Colour	Beige
Dimension (HxD)	See drawing
Weight	160 g

Accessories	
EDP No. / Type	Description
70443 VT-PS12DC-4	Power supply unit 230 VAC/12 VDC stabilized with DC plug
77779 VT-PS12DC/UK	Power supply unit 230VAC/12VDC-500mA w. UK mains connector



Maße/Dimensions: mm

e-mail: info@eneo-security.com • www.eneo-security.com