

VKC-1425

Home | Security | Cameras | Plug & Play

VKC-1425

1/4" Camera, Day&Night, BLC, DNR, DIS, 23x Zoom,

3.6-82.8mm, 580TVL, 12VDC

Art-Nr. 92769



Main Features

High resolution day&night camera

Integrated 23x AF lens / 10x digital zoom

True day&night mode with IR cut filter

Adjustable video transmission distance (3 steps)

Powerful digital noise reduction (3D DNR)

Motion detection (MD)

Low speed shutter control (DSS)

Digital effects: H/V reverse, 180° rotate

Privacy masking

On-screen menu control (OSD)

RS-485 serial interface (Pelco P & D)

Specifications

System	day&night
Video standard	PAL
Sensor size	1/4"
Imager	CCD
Active picture elements	795(H) x 596(V) pixels
Synchronization	internal
Signal-to-noise ratio	>50db
Horizontal resolution	580 TVL
Sensitivity (at 50% video signal)	0,24 Lux, (colour); 0.15Lux (B&W) at F1.2 (measured)
Exposure modes	automatic, manual, iris priority, shutter priority, AGC priority
Automatic electronic shutter (ESC)	1/50 ~ 1/10,000sec.
Manual electronic shutter (MES)	1/50 ~ 1/10.000sec.
Low speed shutter	yes

VKC-1425

(Continuation Specifications)

Automatic gain control (AGC)	ON/OFF switchable
Digital Noise Reduction (DNR)	yes, ON, OFF, low, middle, high
Flickerless function	ON/OFF switchable
Mirror function	flip, V flip, rotation
White balance	ATW, indoor, manual, outdoor, one push
Backlight compensation	BLC, 4 adjustable zones, ON/OFF switchable
Wide Dynamic Range (WDR)	no
IR cut filter	switchable
Video outputs	composite (CVBS)
Lens type	zoom
Focal length	3,6 mm - 82,8 mm
Aperture range (F)	F1.6~F3.7
PTZ support	no
Digital zoom	2x ~10x
Horizontal angle of view	55,21° - 2,12°
Illumination	no
Menu languages	English
OSD function control	OSD camera setup
Text display	10 digit
Activity detection	yes
Motion detector	4 zones, ON/OFF switchable
Privacy zones masking	4 areas selectable
Serial interfaces	RS-485
Serial interfaces protocols	Pelco D, Pelco P, DEF
External adjustments	menu, zoom and focus
External connections	video (BNC), RS-485, voltage input, alarm output, external day&night switching
Housing material	metal, plastic
Housing	indoor
Integrated wall mount	no
Hidden cable management	no
Sunshield	no
Window heater	no
Colour (housing)	silver grey
Vandalism resistant	no
Protection rating	n/a
Alarm inputs	no
Alarm outputs	1
Supply voltage	12VDC, (+/-10%)
Power consumption	4.6watts

VKC-1425

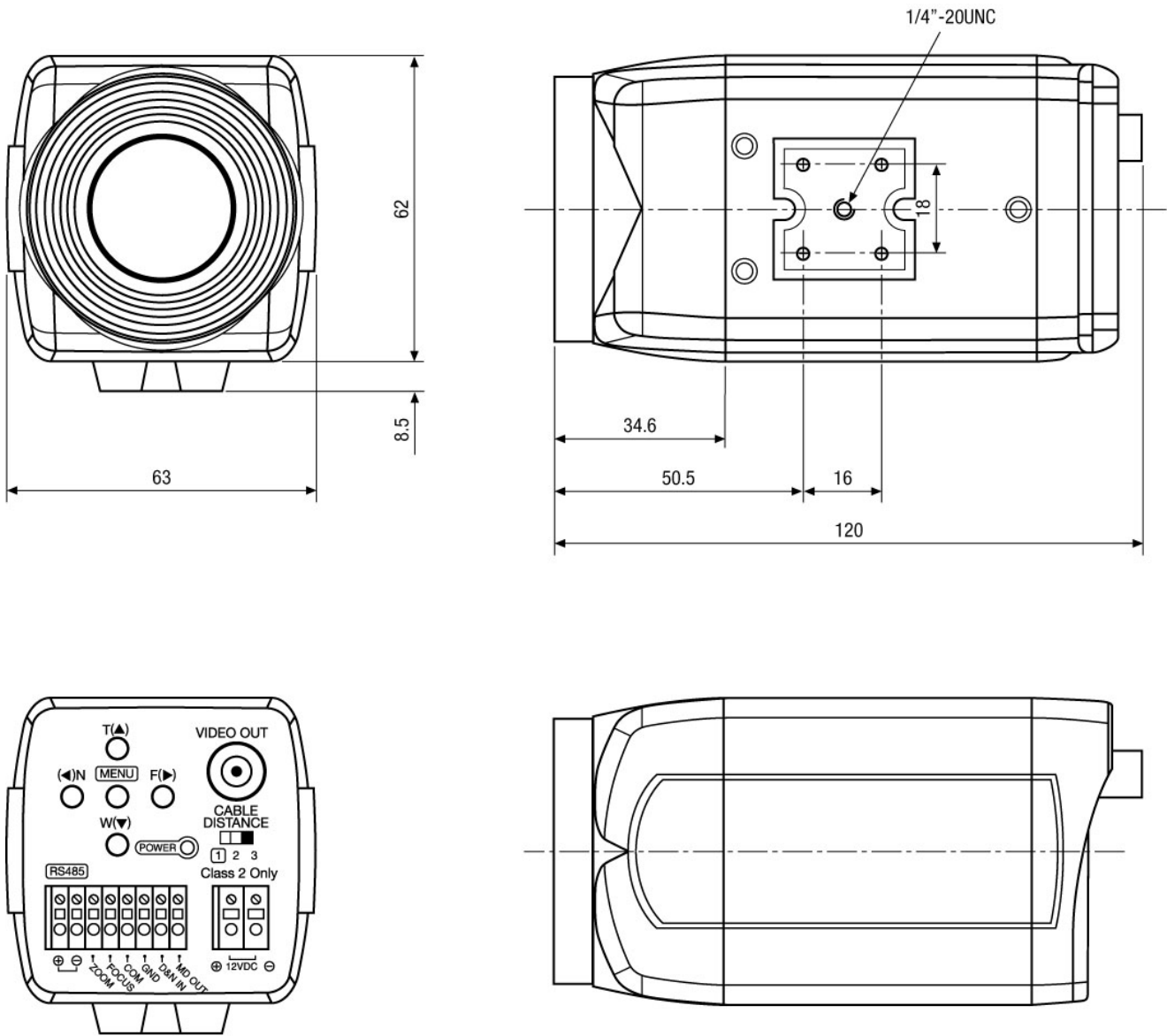
(Continuation Spezifications)

Dimensions (HxWxD)	62x63x120mm
Weight	325g
Certificates	CE

VKC-1425

Home | Security | Cameras | Plug & Play

Technical drawing



Maße/Dimensions: mm



VIDEOR