



## VKC-1416B/PP

Article-No.: 74229

1/4" Camera, Day&Night, 22x,  
3.9-85.8mm, WDR, 580TVL,  
Outdoor Housing, 12VDC

### Mainfeatures

High Resolution Colour/B&W Camera  
Digital signal processing (DSP)  
Digital image stabilization (DIS)  
Programmable backlight compensation (BLC)  
Adjustable low speed shutter control (DSS)  
RS-232/RS-485 serial and voltage control interface

Integral 22x AF zoom lens / 16x digital zoom  
Enhanced dynamic range (WDR/EDR)  
Digital noise reduction (DNR)  
High speed shutter control (ESC+MES)  
On-screen menu control  
All-in-one: camera / lens / housing IP66

### Specifications

System	day&night
Video standard	CCIR/PAL
Sensor size	1/4"
Imager	CCD
Imager	1/3" Sony ExView HAD CCD
Active picture elements	795(H) x 596(V) pixels
Synchronization	internal, external
Signal-to-noise ratio	50dB (AGC OFF)
Gamma correction	0.45
Horizontal resolution	580 TVL
Horizontal resolution	(colour), 600 TVL (B&W)
Sensitivity (at 50% video signal)	0,33 Lux
Sensitivity (at 50% video signal)	(colour); 0.17Lux (B&W) at F1.2 (measured)
Exposure modes	automatic or manual mode: Iris, Shutter and AGC. Automatic mode: Iris priority, Shutter priority
Automatic electronic shutter (ESC)	1/50 ~ 1/100,000sec.



## Specifications (continued)

Manual electronic shutter (MES)	1/50 – 1/100,000sec.
Low speed shutter	yes
Low speed shutter	OFF, Automatic: 2 – 128 fps.
Automatic gain control (AGC)	30dB max., ON/OFF switchable
Digital Noise Reduction (DNR)	yes
Digital Noise Reduction (DNR)	2D & 3D
Flickerless function	yes
Mirror function	H/V flip, 180° rotation
White balance	indoor, AWB, manual, outdoor, WAWB, CRS, automatic (AWB) selectable for indoor and outdoor, or manual. Wide range auto mode (WAWB, 1800-10500K)
Backlight compensation	BLC
Backlight compensation	adjustable zones, ON/OFF switchable, ON/OFF switchable with adjustable field size
Wide Dynamic Range (WDR)	WDR
Aperture Correction (APC)	horizontal, vertical
Sharpness correction	adjustment range: 0 – 15
IR cut filter	switchable
Video outputs	composite (CVBS)
Lens type	zoom
Lens	F1.6 / 3.9 – 85.8mm
Focal length	3,9 mm - 85,8 mm
e-PTZ support	no
Digital zoom	1x – 16x
Horizontal angle of view	50° - 2,46°
Iris control	DC
Focus control	Automatic (manual override and programmable: 0.1m/1.0m/1.5m/2.5m/6.0m)
MOD (Minimum Object Distance)	Wide angle (x1 to x4): 10cm Tele end (x5 to x22): 1.0m. Adjustable to 0.1m, 1.0mm, 1.5m, 2.5m and 6m
Illumination	no
Menu languages	English
OSD function control	day&night, AGC, BLC, AWB, MOD, effect (freeze, pos./neg., flickerless), digital zoom, digital noise reduction (DNR), WDR, shutter mode, white pixel correction
Text display	title, camera ID and status
Activity detection	yes
Motion detector	4 zones, ON/OFF switchable. Face detection
Privacy zones masking	16 zones masking, ON/OFF switchable
Serial interfaces	RS-232, RS-485
Serial port	Fastrax-IIE, Pelco P&D protocols
Serial interfaces protocols	Pelco D, Pelco P, Fastrax IIE
Operations	via RS-485 or remote control
External adjustments	menu, Menu: ON/OFF Focus: Near/Far Zoom: T/W
External connections	voltage input, alarm input, alarm output, video (BNC), RS-485, AD key, external day&night switching
Mounting	wall mount
Temperature range (operation)	-10°C – +50°C
Housing material	aluminium

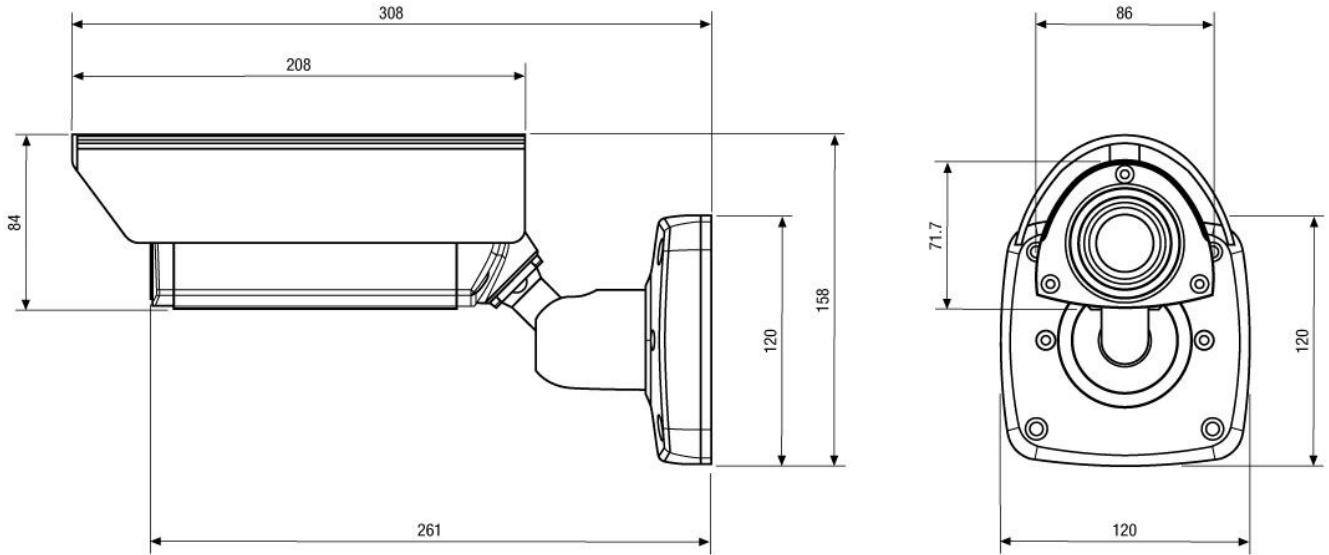
## Specifications (continued)

Housing	outdoor
Integrated wall mount	no
Hidden cable management	yes
Sunshield	yes
Window heater	yes
Colour (housing)	Pantone Cool Gray 1C
Vandalism resistant	no
Protection rating	IP66
Alarm inputs	no
Alarm outputs	yes
Supply voltage	12VDC, 24VAC
Power consumption	9W
Dimensions (HxWxD)	see drawing
Weight	1.4 kg
Certificates	CE, IK10

## Optional Accessories

Image	Artikel-Nr. / Typ	Description
	VT-PS12DC-9	Plug-in Power Supply Unit 100-240VAC 12VDC (1.0Amp), Regulated, w. open Ends
	VKCD-1410/KB	Remote Controller for VKCD-1410, VKC-1416(A/B) and NTC-4101

## Technical Drawing



Maße/Dimensions: mm

Your partner for eneo products:

