

VKC-1416/PP

Home | Security | Cameras | Plug & Play

VKC-1416/PP
1/4" Camera, Day&Night, 22x, 480TVL,
Outdoor Housing, 12VDC

Art-Nr. 92237



Main Features

High Resolution Colour/B&W Camera	Programmable Back Light Compensation (BLC)
Integral 22x AF Zoom Lens / 11x Digital Zoom	High Speed Shutter Control (ESC+MES)
Digital Signal Processing (DSP)	Adjustable Low Speed Shutter Control (DSS)
Enhanced Dynamic Range (WDR/EDR)	On-screen Menu Control
Digital Image Stabilization (DIS)	RS-232/RS-485 Serial and Voltage Control Interface
Digital Noise Reduction (DNR)	All-In-One: Camera / Lens / Housing IP66

Specifications

System	day&night
Video standard	CCIR/PAL
Sensor size	1/4"
Imager	CCD, Sony Super HAD Interline Transfer
Active picture elements	440,000, (H) 752 x (V) 582
Synchronization	Internal
Signal-to-noise ratio	52db (AGC OFF)
Horizontal resolution	480 TVL
Sensitivity (at 50% video signal)	0.45Lux (colour); 0.24Lux (B&W). With 8x Low Speed Shutter, colour: 0.05Lux, b&w: 0.03Lux. Related to aperture F1.2 each
Exposure modes	Automatic or manual mode: Iris, Shutter and AGC. Automatic mode: Iris priority, Shutter priority
Automatic electronic shutter (ESC)	1/50 ~ 1/10,000sec., automatic and manual
Low Speed Shutter	yes

VKC-1416/PP

(Continuation Specifications)

Low speed shutter	1/30sec. ~1sec. (to 2, 4, 8, 16, 32 and 60 Fps. selectable)
Automatic gain control (AGC)	30dB max., ON/OFF switchable
Digital Noise Reduction (DNR)	yes
White balance	Automatic (AWB) selectable for indoor and outdoor, or manual. Wide range auto mode (WAWB)
Backlight compensation	BLC
Wide Dynamic Range (WDR)	no
Backlight compensation	On/Off switchable with adjustable field size
IR cut filter	switchable
Video outputs	CVBS
Lens type	zoom
Lens	F1.6 ~F32/3.9 ~85.8mm
Aspherical technology	yes
Focal length	3,9 mm - 85,8 mm
Digital Zoom	11x
Horizontal angle of view	50° - 2,46°
Iris control	DC, manual
Filter screw size	M37x0.7mm
MOD (Minimum object distance)	1,0 m
MOD (Minimum Object Distance)	Wide angle (x1 to x4): 10cm Tele end (x5 to x22): 1.0m. Adjustable to 0.1m, 1.0mm, 1.5m, 2.5m and 6m
Illumination	no
OSD function control	D&N, AGC, BLC, AWB, Iris, MOD, PIP, Freeze, Digital zoom, Digital noise reduction (DNR) ON/OFF. Mirror, Enhanced Dynamic Range (WDR/EDR) and Shutter mode
Menu driven set-up	On/Off switchable
Text display	Title, camera ID and status
Serial interfaces	RS-232, RS-485
Serial port	Fastrax-E, Pelco P&D protocols
External adjustments	Menu: ON/OFF Focus near/far Lens T/W LL phase (for AC models only)
External connections	Video (BNC), Power input, Serial interface socket
Protection rating	IP66
Supply voltage	12VDC, 24VAC
Power consumption	9W
Temperature range (Operation)	-10°C ~+45°C
Housing material	Aluminium
Housing	Outdoor
Integrated wall mount	yes
Hidden cable management	yes
Sunshield	yes

VKC-1416/PP

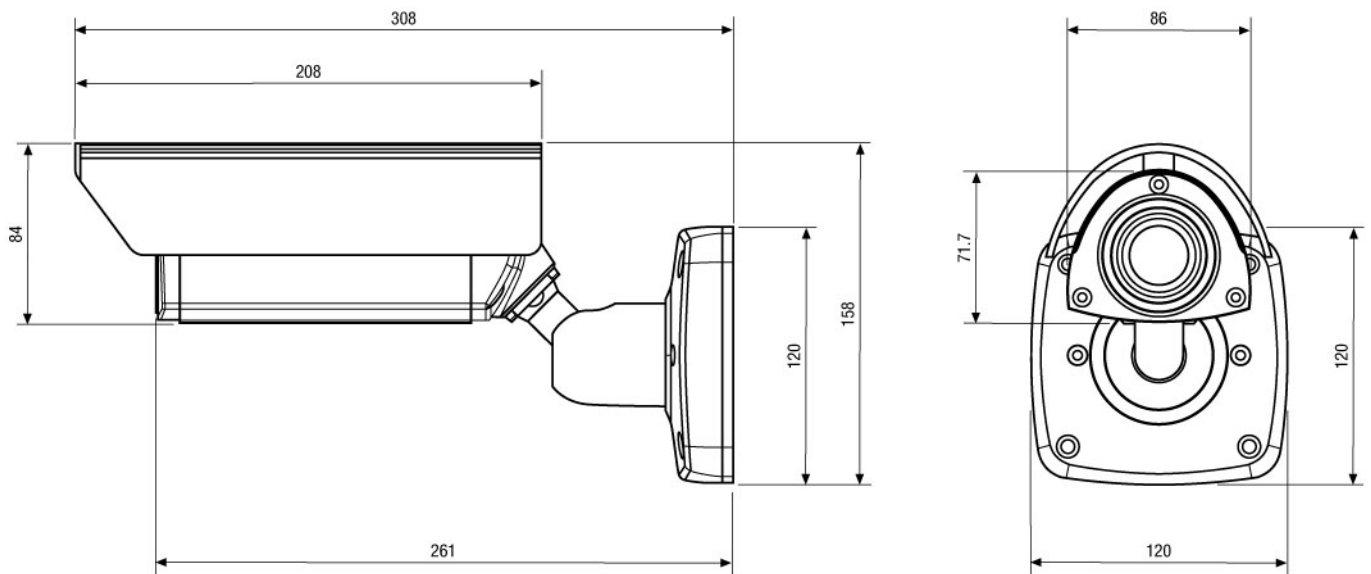
(Continuation Spezifications)

Window heater	yes
Clear Shield	no
Colour (housing)	Pantone Cool Gray 1C
Dimensions (HxWxD)	See drawing
Weight	approx. 1.4kg
Certificates	CE

Optional accessories

70536	VT-PS12DC-9	Plug-in Power Supply Unit 100-240VAC 12VDC (1.0Amp), Regulated, w. open Ends
74088	EDC-KBD1	System Keyboard with 3-axis Joystick, 12VDC
70495	VT-PS12DC-7	Plugable PSU w. Cont. & UK Mains plug-in 100-240VAC/12VDC-1.25A, Regulated
74092	EDC-KBDM-3	System Keyboard w. Joystick, 5" Monitor 12VDC, Fastrax Protocol
70688	WD-18	Wall Mount with Ball Joint, 1/4" Camera Fixing Screw, Beige Grey
77773	VT-PS12DCDT1	PSU 12VDC/1.0A, Regulated, Desktop Version, 1.8m Cables each w. open ends
74124	FASTRAX_CONFIG	Configuration Software for Eneo Fastrax, Minitrax Dome Cameras and VKC-1416

Technical drawing



Maße/Dimensions: mm