

Video Security



VKC-1413/W2

1/4" Colour Camera with 2.6-5.6mm Lens
VHP-2 Housing, 380TVL

Art-No. 96044



Features

Color Brd. Camera VKC-1413 in Weatherproof Housing
1/4" CCD Sensor Chip
Resolution of 380 Horizontal Lines
Electronic Shutter Control (ESC)
High Sensitivity

Integrated Lens: F2.0/2.6-5.6mm
Supply Voltage: 12 VDC
Compact Version
Index of Protection: IP67
Protected Pan and Tilt Fixing Mechanism

Specifications

System	CCIR/PAL
Imager	1/4" Sony Super HAD Interline Transfer CCD
Active picture elements	Approx. 290,000 (H) 500 x (V) 582
Synchronization	Internal
Gamma correction	Approx. 0.45
Horizontal resolution	380 TV lines
Sensitivity at 50% video signal	1.4Lux at F2.0 (VT measurement result); 0,5Lux at F1.2
Electronic shutter control (ESC)	1/50 to 1/100,000 sec.
Aperture Correction (APC)	Yes (horizontal)
Video output	1 Vp-p, CVBS, 75 ohms
Integrated lens	F2.0-2.7/2.6-5.6 mm w./o. iris
Horizontal angle of view	69°-35°
Cable connection	Wiring for video and voltage supply made, accessible from outside
Housing	Aluminium with glass screen
Heater/sunshield	No
Colour	Anodized aluminium (CO)
Protection rating	IP 67
Supply voltage	12 VDC +/-10 %

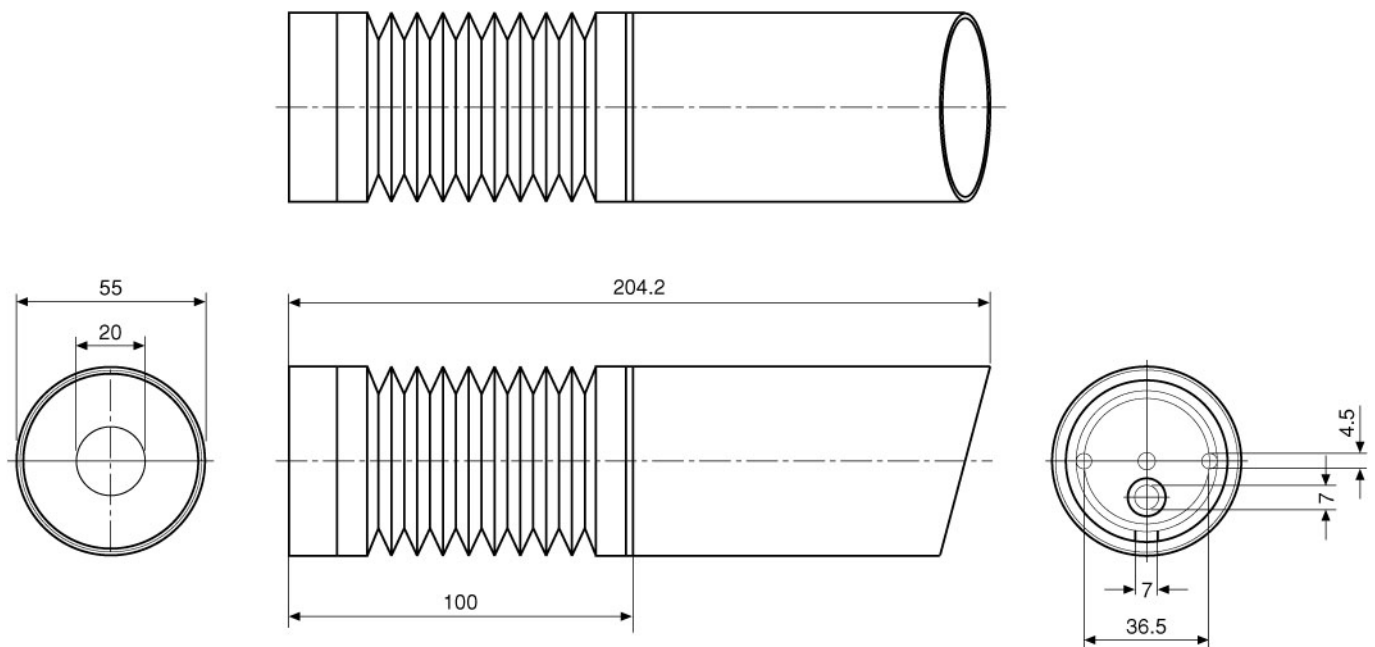
VKC-1413/W2

(Specifications continued)

Power consumption	Approx. 1.5watts
Temperature range	-30°C to +40°C
Dimensions (HxWxD)	See drawing
Weight	480 g
Parts supplied	Bag of screws

Accessories

77779 / VT-PS12DC-UK	Power Supply Unit w. UK Mains plug-in, 100-240VAC/12VDC-1.0A, Regul., open Ends
70448 / VT-PS12DC-6	Plug-in Power Supply Unit 100-240VAC 12VDC (1.0Amp), Regulated, w. Open Ends
77772 / VT-PS12DCDT	PSU 12VDC/0,5A, Regulated, Desktop Version, 1.8m Cable each w. open ends



Maße/Dimensions: mm

VIDEOR TECHNICAL E. Hartig GmbH
Carl-Zeiss-Straße 8 · 63322 Rödermark · Germany
Telefon +49 (0) 60 74/8 88-0 · Telefax +49 (0) 60 74/8 88-100
info@videortechnical.com · www.videortechnical.com

