



VKC-1373/VAR210

Article-No.: 92545

1/3" Board Camera, Day&Night, WDR, DSS,
Removable IRCF, 2.8-10.5mm, 560TVL

Mainfeatures

Sony Progressive Scan Interline Transfer CCD
Resolution of 560 Horizontal Lines (at Colour)
On-screen Menu Control / Camera Title Display
Automatic White Balance (ATW/AWB)
Digital Zoom 2x-16x

Wide Dynamic Function (WDR, 60dB)
Sensitivity of 0.01Lux at F1.2 (16x DSS/B&W)
Removable IR Cut Filter
High and Low Speed Shutter Control (ESC/DSS)
4 Privacy Zones adjustable




Specifications

System	Day&Night
Video standard	CCIR/PAL
Sensor size	1/3"
Imager	CCD
Imager	Sony Progressive Scan Interline Transfer
Active picture elements	440,000, 752(H) x 582(V)
Synchronization	Internal
Signal-to-noise ratio	50dB (AGC OFF)
Horizontal resolution	560 TVL
Sensitivity (at 50% video signal)	0,3 Lux
Sensitivity (at 50% video signal)	(colour); 0.15Lux (B&W) at F1.2 (measured)
Automatic electronic shutter (ESC)	1/120 ~ 1/10.000sec.
Low Speed Shutter	yes
Low speed shutter	DSS: OFF / 2 ~ 20 Fps / 40 Fps / 80 Fps / 160 Fps mode
Automatic gain control (AGC)	OFF / Low / Mid/High selectable
Digital Noise Reduction (DNR)	no
Flickerless function	1/120sec., ON/OFF switchable

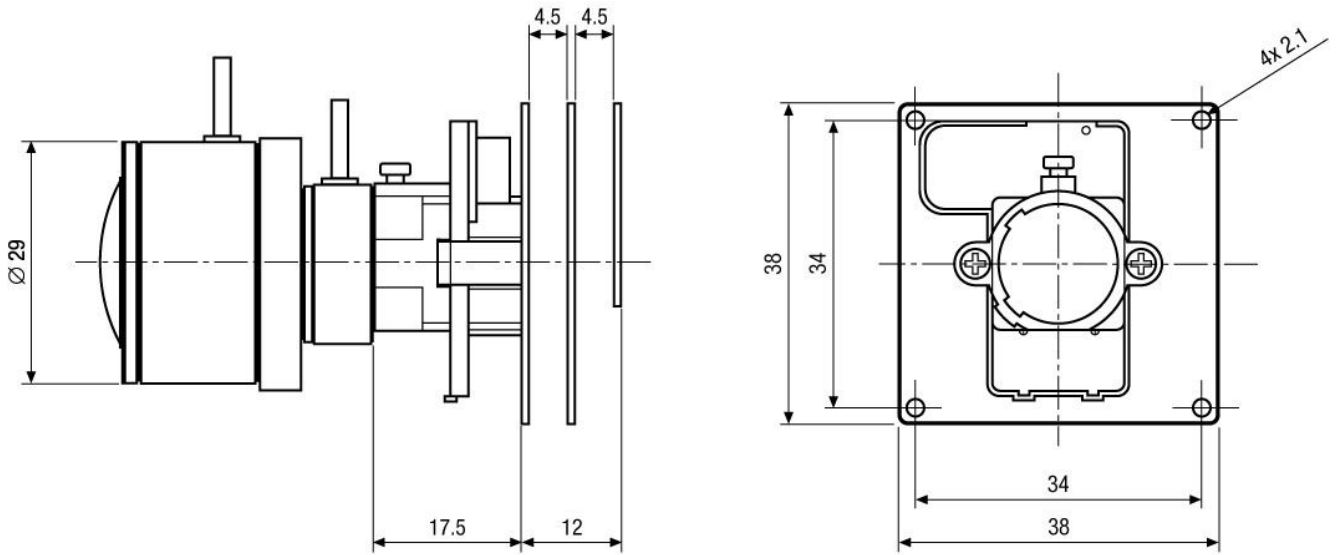
Specifications (continued)

White balance	Automatic/manually/hold
Backlight compensation	BLC
Wide Dynamic Range (WDR)	yes
Aperture Correction (APC)	Horizontal and vertical
Brightness	Range: 0 - 60
Sharpness correction	Adjustment range: 0 - 15
IR cut filter	switchable
Video outputs	Composite (CVBS)
Lens type	varifocal
Lens	F1.2 - F140/2.8 - 10.5mm
Focal length	2,8 mm - 10,5 mm
Digital Zoom	16x
Horizontal angle of view	81,2° - 25,8°
Iris control	DC
MOD (Minimum object distance)	0,15 m
Filter screw size	not available
Illumination	no
OSD function control	Main menu: Camera-ID no., Camera title/text, Colour/B&W switching, Sharpness, Mirror function, Positive/Negative switching. AWB: White balance red/blue, automatic. AE: Brightness, Flickerless, High speed shutter, Low speed shutter (DSS), AGC. Day&Night modes (Auto, Day, Night, external), IR Filter (Brightness level, delay). WDR: Mode, BLC. Privacy Zones: Area, Masking, X/Y start/end. Display: OSD, Function display ON/OFF. Initial: Camera settings ON/OFF
Text display	10 digit
Privacy zones masking	4 Areas selectable
Serial interfaces	RS-485
Serial port	(Pelco D protocol or eneo control S/W, interface protocol: upon request)
External connections	7 pin cable with open ends
Mounting	2 Fixing holes at 48mm distance (diagonal)
Temperature range (Operation)	-10° ~ +50°C
Housing	Indoor
Hidden cable management	no
Protection rating	IP40
Supply voltage	12VDC
Supply voltage	(9 ~ 15VDC), 12VDC ±0,5V recommended
Power consumption	3.0watts
Dimensions (HxWxD)	See drawing
Weight	60g
Parts supplied	Camera with lens, CDS Sensor, Test board, Manual
Certificates	CE

Optional Accessories

Image	Artikel-Nr. / Typ	Description
	VT-PS12DCDT1	PSU 12VDC/1.0A, Regulated, Desktop Version, 1.8m Cables each w. open ends
	VT-PS12DC-7	Plugable PSU w. Cont. & UK Mains plug-in 100-240VAC/12VDC-1.25A, Regulated
	VT-PS12DC-8	Plug-in Power Supply Unit 100-240VAC 12VDC (1.0Amp), Regulated, with DC Plug

Technical Drawing



Maße/Dimensions: mm

Your partner for eneo products:

