



## VKC-1371/IR-3.6

Article-No.: 92543

1/3" Camera, Day&Night, F2.0/3.6mm,  
850nm, 550TVL, IR Illumination, 12VDC

### Mainfeatures

Weatherproof Day&Night CCD Camera  
Sensitivity of 0.22Lux at F1.2 (Colour)  
IR Illumination by 30 integrated 850nm LEDs  
Automatic Shutter Control (ESC)  
Supply Voltage: 12VDC

1/3" Sony Super HAD II CCD  
B&W Display at Night Time and IR LED Illumination  
Approx. 30m Illumination Range  
Automatic White Balance (AWB)  
Aluminium Housing with Sunshield




### Specifications

System	Day&Night
Sensor size	1/3"
Imager	CCD
Imager	Sony Super HAD II Interline Transfer
Active picture elements	470,000, 795(H) x 596(V)
Synchronization	Internal
Signal-to-noise ratio	45db (AGC Off)
Gamma correction	0.45
Horizontal resolution	550 TVL
Sensitivity (at 50% video signal)	0,22 Lux
Sensitivity (at 50% video signal)	(colour) at F1.2 (measured)
Automatic electronic shutter (ESC)	1/50 - 1/100,000sec.
Low Speed Shutter	no
Automatic gain control (AGC)	yes
Digital Noise Reduction (DNR)	no
White balance	automatic
Backlight compensation	no

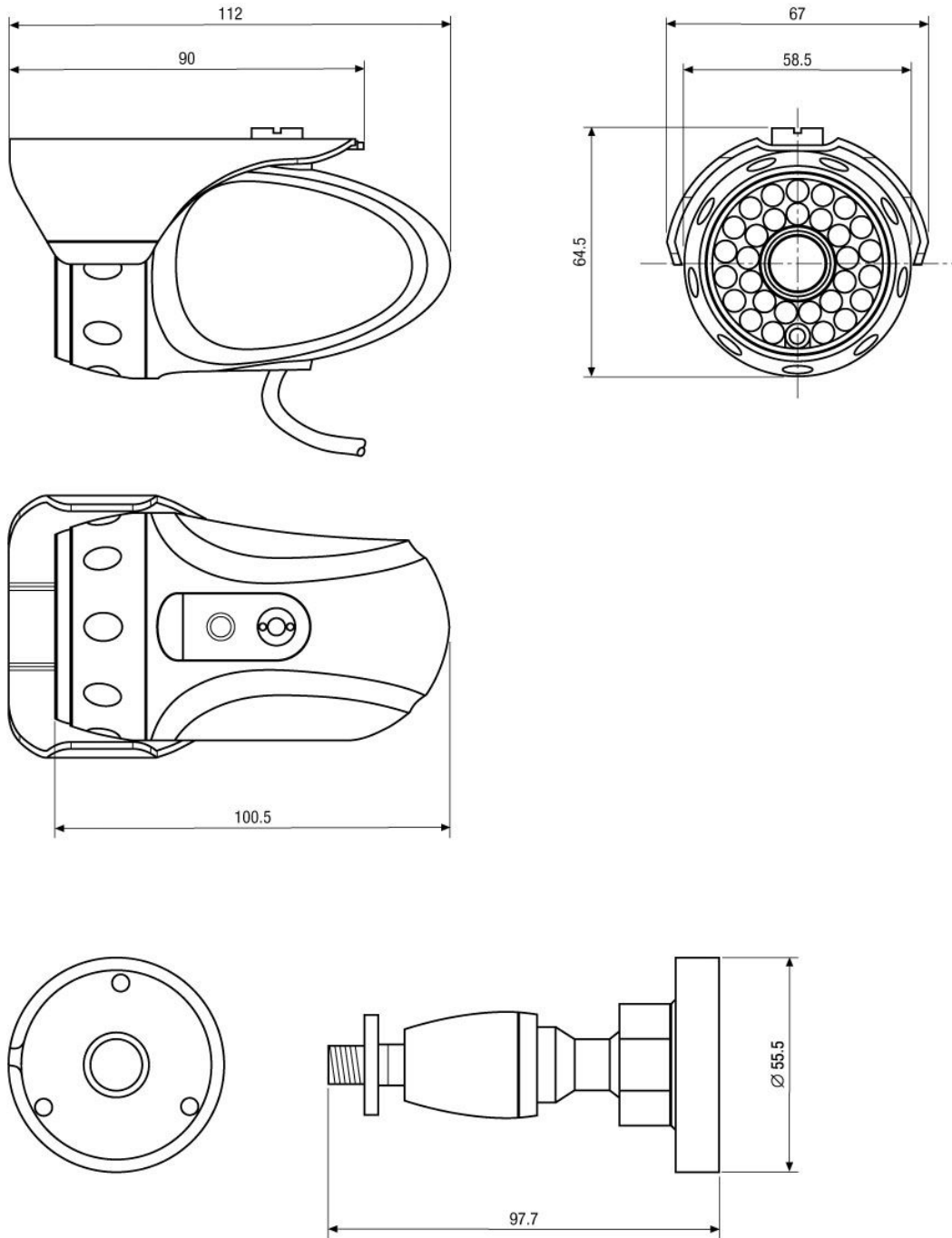
## Specifications (continued)

Wide Dynamic Range (WDR)	no
Aperture Correction (APC)	Horizontal and vertical
IR cut filter	OLPF (Overlay Low Pass Filter)
Internal adjustments	-
Video outputs	Composite (CVBS)
Lens type	fixed focal length
Lens	F2.0/3.6mm w/o. iris (IR corrected and NFS)
Focal length	3,6 mm
Horizontal angle of view	95,3°
Iris control	no
MOD (Minimum object distance)	0,2 m
Filter screw size	not available
Illumination	infrared
Illumination	30x LED's 850nm at 45° illumination angle. Due to an integrated light sensor the LED illumination will be switched ON (+1Lux) / OFF (+3Lux), depending on environmental illumination conditions.
Illumination range	approx. 30m (at a good light reflexion and 40% Videosignal)
Serial interfaces	no
External connections	Video (BNC), 12VDC (DC socket)
Kind of mounting	1/4"-20 thread on rear side
Temperature range (Operation)	-10° ~ +50°C
Housing material	Aluminium
Housing	Outdoor
Integrated wall mount	yes
Hidden cable management	yes
Window screen	Coated plastic for outdoor use. Clear window section for the lens
Sunshield	yes
Window heater	no
Clear Shield	no
Colour (housing)	silver grey
Protection rating	IP67
Supply voltage	12VDC
Supply voltage	(+/-10%)
Power consumption	3watts
Weight	370g (incl. stand)
Remarks	Lens fitted for Day&Night application
Certificates	CE

## Optional Accessories

Image	Artikel-Nr. / Typ	Description
	VT-PS12DC-8	Plug-in Power Supply Unit 100-240VAC 12VDC (1.0Amp), Regulated, with DC Plug
	VT-PS12DC-7	Plugable PSU w. Cont. & UK Mains plug-in 100-240VAC/12VDC-1.25A, Regulated
	VT-PS12DCDT1	PSU 12VDC/1.0A, Regulated, Desktop Version, 1.8m Cables each w. open ends

## Technical Drawing



Maße/Dimensions: mm



Your partner for eneo products:

