



VKC-1363

Article-No.: 92261

1/3" D&N, WDR, DSS Camera with Removable
IRCF, 230VAC, 580TVL

Mainfeatures

1/3" Super HAD Colour/B&W CCD Sensor
Wide Dynamic Range (WDR)
Selectable Backlight Compensation Zones (BLC)
On-screen Menu Control / Camera Title Display
Picture Sharpness and Flickerless Adjustment

Sensitivity of 0.5Lux at F1.2 (Colour)
Automatic Gain Control (AGC)
High and Low Speed Shutter Control (ESC/DSS)
Privacy Masking/Mirror Function/Motion Detection
External Day/Night Selection / RS-485 Interface

Specifications

Video standard	CCIR/PAL
System	day&night
Sensor size	1/3"
Imager	CCD
Imager	Sony Super HAD Interline Transfer
Active picture elements	480,000, 795(H) x 596(V)
Synchronization	Internal/AC line lock
Genlock synchronization	-
Signal-to-noise ratio	50dB (AGC OFF)
Gamma correction	0.45
Horizontal resolution	580 TVL
Sensitivity (at 50% video signal)	0.5Lux at F1.2 (colour); 0.3Lux at F1.2 (B&W). Videor measurement result
Auto exposure	Automatic/Manual Shutter/AGC
High-speed shutter (ESC)	1/50 ~ 1/100,000sec. (ON/OFF switchable)
Manual electronic shutter (MES)	1/50 ~ 1/100,000sec.
Integration rate	yes
Low speed shutter (DSS)	Automatic, 2 ~ 256 Fps., ON/OFF switchable

Specifications (continued)

Digital Noise Reduction (DNR)	no
Automatic gain control (AGC)	ON/OFF
Backlight compensation	BLC, WDR
Backlight compensation	Center/Left/Right/Top/Bottom and OFF
White balance	Automatic (AWB/ATW) selectable for indoor and outdoor, or manual
Aperture Correction (APC)	Horizontal and vertical
Flickerless function	1/120sec., On/Off switchable
IR cut filter	switchable
Day/Night switching	By external contact closure
Privacy Zone masking	On/Off switchable
OSD function control	Colour/B&W, AGC, Mirror (hor.), Positive/Negative. B&W External ON/OFF, BLC, White balance, AI/DC Iris, ESC, Colour rolling ON/OFF, Privacy zones ON/OFF, Camera ID, Default/Preset
Menu driven set-up	On/Off switchable
Text display	Title, camera ID and status
Motion Detection Function	4 areas On/Off switchable
Lens mount	CS
Keyboard control	Direct mode control with eneo EDC-KBD(M), KBD-2 keyboard series
Digital Zoom	2x
Usable iris controls	Manual iris, Auto-Iris/DC controlled
Camera ID	Via ID no.
External adjustments	Menu, Cursor Up/Down/Left/Right, Video output selection Standard/Twisted-pair, Flange focus
Video outputs (type)	CVBS
Video outputs	1.0Vp-p, (C)VBS, 75ohms. 1.0Vp-p, 124ohms (symmetrical)
External connections	Video (BNC), (4-pin), Twisted-pair video (2 pin), AI/DC lens control (4 pin), Serial interface RS-485, D&N external I/O, Alarm output. Power input (2-pin)
Remote configuration	By RS-485 Interface
Serial interfaces	RS-485
Serial interfaces	Protocols: eneo Fastrax EII and Pelco D&P
Camera mount	1/4" - 20 UNC thread on top and bottom
Protection rating	IP40
Hidden cable management	no
Supply voltage	230VAC
Power consumption	7watts
Temperature range (Operation)	-10° ~ +50°C
Dimensions (HxWxD)	See drawing
Colour	Body: Pantone 877C, Side wings: Pantone Cool Gray 11C
Weight	265g
Parts supplied	4-pin plug, C/CS mount ring
Certificates	CE

Optional Accessories

Image	Artikel-Nr. / Typ	Description
	WD-23	Wall Mount Bracket with Ball Joint, 1/4" Camera Fixing Screw, Pantone 877
	WD-22	Wall Mount Bracket with Ball Joint, 1/4" Camera Fixing Screw, Beige Grey
	F0212M-NFS	F1.2/2.2mm Fixed Focal Length Lens with No Focus Shift, 1/3" CS Mount
	F0312M-NFS	F1.2/2.8mm Fixed Focal Length Lens with No Focus Shift, 1/3" CS Mount
	F0412M-NFS	F1.2/4mm Fixed Focal Length Lens with No Focus Shift, 1/3" CS Mount
	F0612M-NFS	F1.2/6mm Fixed Focal Length Lens with No Focus Shift, 1/3" CS Mount
	F0812M-NFS	F1.2/8mm Fixed Focal Length Lens with No Focus Shift, 1/3" CS Mount



Optional Accessories (continued)

Image	Artikel-Nr. / Typ	Description
	G04Z03M-NFS	F1.2/4.5-12.5mm Lens, Var. Focal Length with No Focus Shift, 1/2", CS Mount
	F0212NDDC-NFS	F1.2/2.2mm DC Lens with No Focus Shift, 1/3" CS Mount
	F0312NDDC-NFS	F1.2/2.8mm DC Lens with No Focus Shift, 1/3" CS Mount
	F0412NDDC-NFS	F1.2/4mm DC Lens with No Focus Shift, 1/3" CS Mount
	F0612NDDC-NFS	F1.2/6mm DC Lens with No Focus Shift, 1/3" CS Mount
	F0812NDDC-NFS	F1.2/8mm DC Lens with No Focus Shift, 1/3" CS Mount
	YV5X2.7R4B-SA2L	F1.3/2.7-13.5mm DC Varifocal Lens, No Focus Shift, 1/3" CS Mount

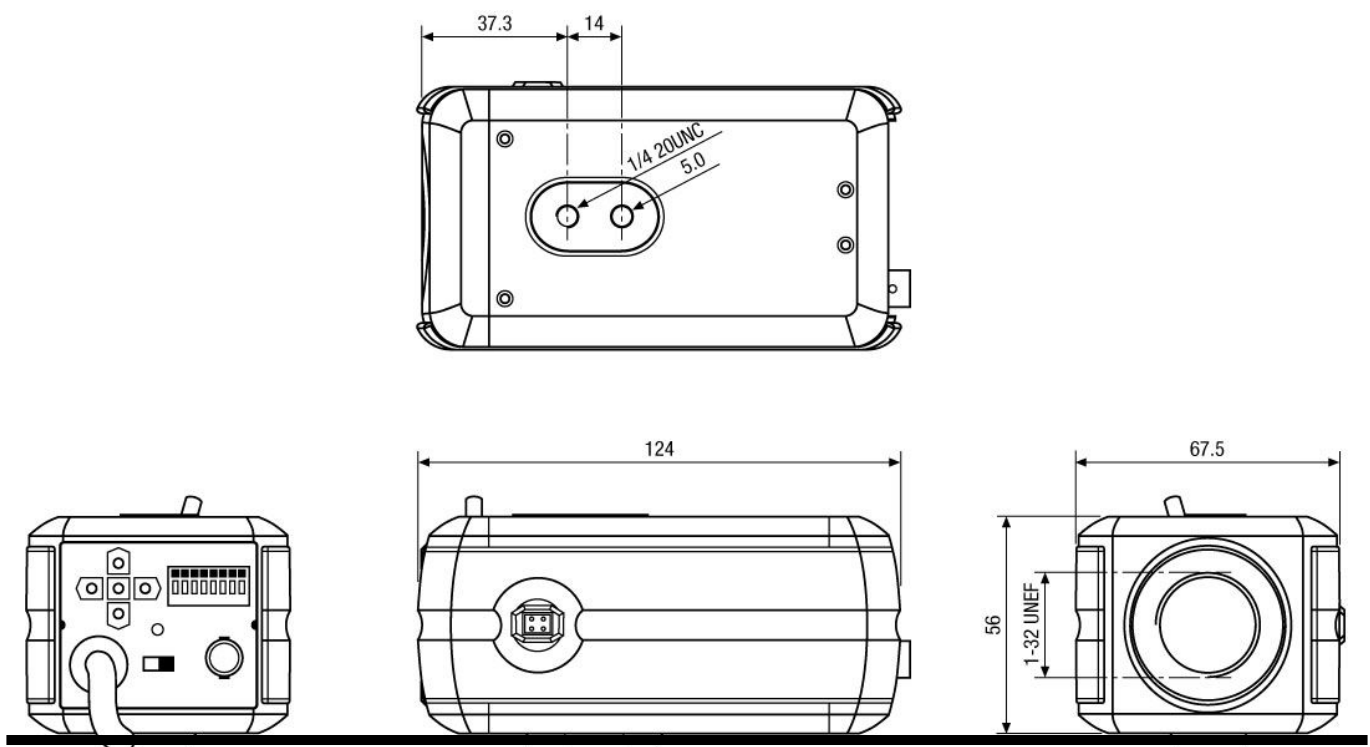
Optional Accessories (continued)

Image	Artikel-Nr. / Typ	Description
	F03Z04NDDC-NFS	F1.4/2.8-11mm DC Lens/var. Focal Length No Focus Shift, 1/3" CS Mount
	F03Z2.710DC-NFS	F1.0/3-8mm DC Lens/var. Focal Length with No Focus Shift, 1/3" CS Mount
	G04Z03NDDC-NFS	F1.2/4.5-12.5mm DC Lens/variable Focal Length, No Focus Shift, 1/2" CS Mount
	YV10X5R4A-SA2L	F1,6/5-50mm DC Varifocal Lens with No Focus Shift, 1/3" CS Mount
	F07Z07NDDC-NFS	F1.3/7.5-50mm DC Lens/var. Focal Length with No Focus Shift, 1/3" CS Mount
	A10Z04NDDC-NFS	F1.4/10-40mm DC Lens/var. Focal Length with No Focus Shift, 1/2" C Mount
	VT-PS12DC-7	Pluggable PSU w. Cont. & UK Mains plug-in 100-240VAC/12VDC-1.25A, Regulated

Optional Accessories (continued)

Image	Artikel-Nr. / Typ	Description
	VT-PS12DC-9	Plug-in Power Supply Unit 100-240VAC 12VDC (1.0Amp), Regulated, w. open Ends
	VT-PS12DCDT1	PSU 12VDC/1.0A, Regulated, Desktop Version, 1.8m Cables each w. open ends
	WD-13-WA	Ceiling Mount with Ball Joint, 1/4" Camera Fixing Screw, RAL9006
	WD-13/E-WA	Ceiling Mount w. Ball Joint, extendable 1/4" Camera Fixing Screw, RAL9006

Technical Drawing





Your partner for eneo products:

