



## VKC-1362

Article-No.: 92258

1/3" Colour/B&W Camera, HighRes 540TVL,  
230VAC

### Mainfeatures

1/3" Super HAD Colour CCD Sensor  
Sensitivity of 0.25Lux at F1.2  
High Speed Shutter Control (ESC)  
Automatic White Balance (AWB)  
Flickerless Adjustment

Horizontal Resolution of 540 TV Lines  
Automatic Gain Control (AGC)  
Backlight Compensation (BLC)  
Aperture Correction (APC)  
Auto Iris and DC Iris Control



### Specifications

Video standard	CCIR/PAL
System	Colour, black/white
Sensor size	1/3"
Imager	CCD
Imager	Sony Super HAD Interline Transfer
Active picture elements	480,000, 795(H) x 596(V)
Signal processing	Digital (DSP)
Synchronization	Internal
Signal-to-noise ratio	50dB (AGC OFF)
Gamma correction	0.45
Horizontal resolution	540 TVL
Sensitivity (at 50% video signal)	0.2Lux at F1.2 (colour), Videor measurement result
Electronic shutter control (ESC)	1/50 - 1/100,000sec. (On/Off switchable)
Integration rate	no
Digital Noise Reduction (DNR)	no
Automatic gain control (AGC)	On/Off switchable
Backlight compensation	BLC

## Specifications (continued)

Backlight compensation	ON/OFF switchable
White balance (ATW)	2500 ~ 8000K (Automatic)
Aperture Correction (APC)	Horizontal and vertical
Flickerless function	On/Off switchable
IR cut filter	lowpass
Lens mount	CS
Usable iris controls	Manual/DC controlled iris
External adjustments	Day&Night: Auto/Colour. AGC, ESC, BLC, Flickerless ON/OFF. Level control for DC controlled iris, Flange focus
Video outputs (type)	CVBS
Video outputs	1Vp-p, (C)VBS, 75ohms, BNC
External connections	DC-Iris (4 pin), Video (BNC), Voltage input (power cord)
Serial interfaces	no
Camera mount	1/4" - 20 UNC thread on top and bottom
Protection rating	IP40
Hidden cable management	no
Supply voltage	230VAC
Power consumption	3.0watts
Temperature range (Operation)	-10° ~ +50°C
Dimensions (HxWxD)	See drawing
Colour	Body: Pantone 877C, Side wings: Pantone Cool Gray 11C
Weight	310g
Parts supplied	Camera, C/CS Mount ring, 4-pin lens plug, Manual
Certificates	CE

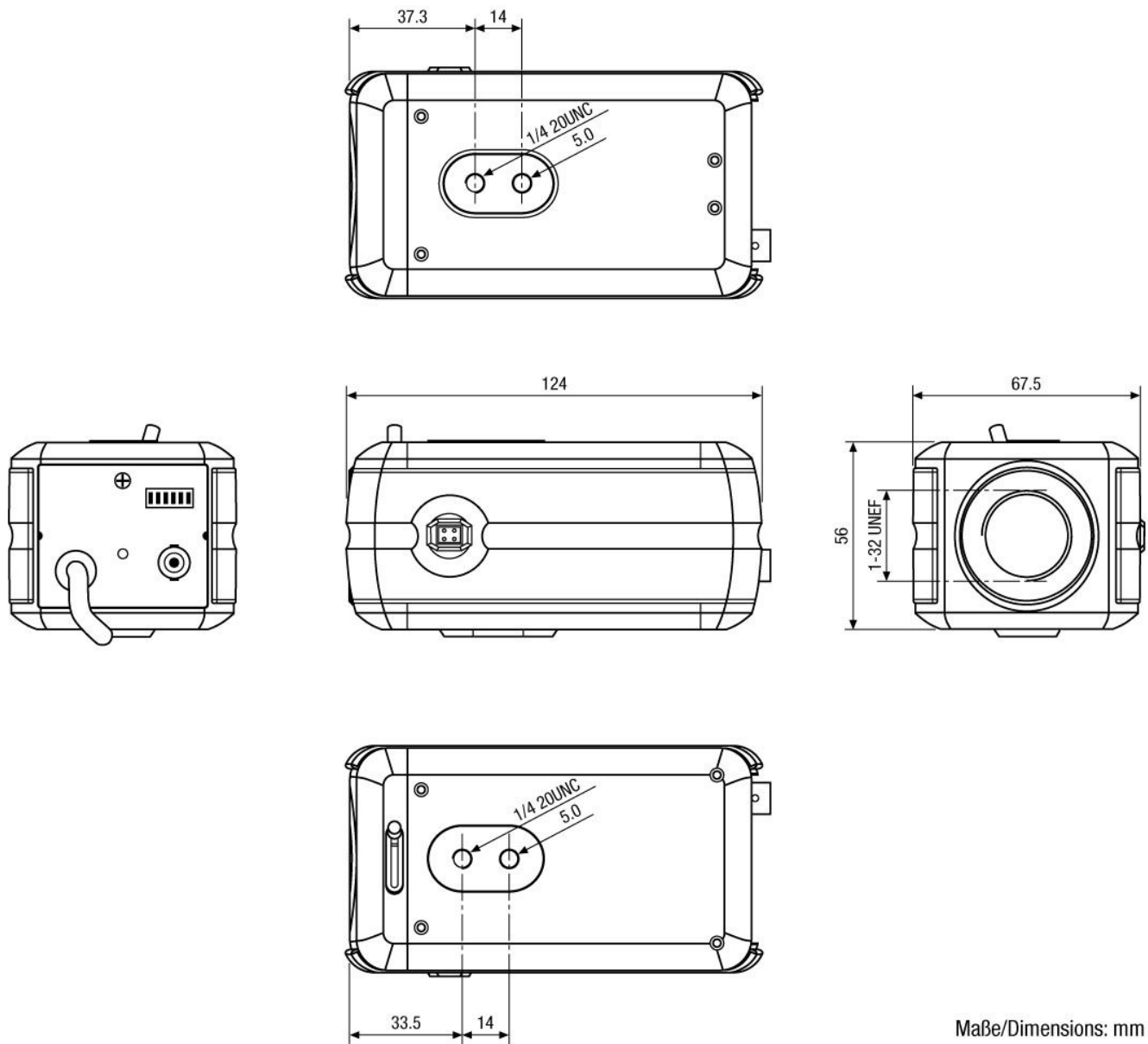
## Optional Accessories

Image	Artikel-Nr. / Typ	Description
	WD-23	Wall Mount Bracket with Ball Joint, 1/4" Camera Fixing Screw, Pantone 877
	WD-22	Wall Mount Bracket with Ball Joint, 1/4" Camera Fixing Screw, Beige Grey
	WD-13-WA	Ceiling Mount with Ball Joint, 1/4" Camera Fixing Screw, RAL9006

## Optional Accessories (continued)

Image	Artikel-Nr. / Typ	Description
	WD-13/E-WA	Ceiling Mount w. Ball Joint, extendable 1/4" Camera Fixing Screw, RAL9006

## Technical Drawing



Maße/Dimensions: mm



Your partner for eneo products:

