

VKC-1359IR/W3P

Home | Security | Cameras | Plug & Play

VKC-1359IR/W3P

1/3" Pixim Day/Night Camera with LEDs,

F1.2/3.8-9.5mm, 12VDC/24VAC, 540TVL

Art-Nr. 96090



Main Features

Weatherproof Camera with Swivel Head Bracket

Digital Pixel System (DPS)

Wide Dynamic Range: 102dB, 120dB max.

Built-in Lens F1.2/3.8-9.5mm with DC Iris Control

Sensitivity of 1.6 Lux (F1.2 / Colour)

Removable IR Cut Filter

Digital Noise Reduction (DNR)

Adjustable Low-Speed Shutter (DSS)

Automatic White Balance (ATW)

IR Illumination by 17 integrated 850nm LEDs

Fully Hidden Cable Routing/Protection Rating: IP67

Supply Voltage: 12VDC/24VAC

Specifications

System	day&night
Video standard	PAL/NTSC
Sensor size	1/3"
Imager	DPS (Pixim)
Active picture elements	Approx. 400,000, (H) 720 x (V) 540 (eff.)
Synchronization	Internal/Line-lock
Signal-to-noise ratio	48dB (AGC OFF)
Gamma correction	0.45
Horizontal resolution	540 TVL
Sensitivity (at 50% video signal)	1,4 Lux, at colour, 0.38Lux (B&W). Videor measurement result at F1.2
Integration rate	yes
Low speed shutter (DSS)	2 ~32 fps.
Automatic gain control (AGC)	On/Off switchable
Wide dynamic range	On/Off switchable
Digital Noise Reduction (DNR)	yes, On/Off switchable
Flickerless function	On/Off switchable

VKC-1359IR/W3P

(Continuation Specifications)

White balance (ATW)	2000K ~8000K
White balance	Automatic and manual (ATW/AWB)
Backlight compensation	BLC, WDR, 4 presets: low/middle/high/custom (user adjustment) / BLC: Center area / upper 1/3, middle 1/3, lower 1/3
Aperture Correction (APC)	Horizontal and vertical
Switchable IR cut filter	yes
IR cut filter	Motorized, switchable filter. Automatic function depend on the amount of light. In removed filter position, the colour signal will be switched OFF
Video outputs (type)	CVBS, VBS
Video output	1 Vp-p, (C)VBS, 75ohms, BNC
Lens type	varifocal
Lens	F1.2/F2.0~360 / 3.8~9.5mm with galvanometer controlled iris
Lens mount	integrated lens
Aspherical technology	yes
Focal length	3,8 mm - 9,5 mm
Horizontal angle of view	30° - 74,2°
Iris control	DC
Focus range	0.15m ~?
Filter screw size	not available
MOD (Minimum object distance)	0,15 m
Illumination	17 LEDs 850nm. Integrated light sensor for On/Off switching of the illumination
Illumination range	approx. 35m (at a good light reflexion and 40% Videosignal)
OSD function control	Preset, Exposure, D&N, Picture Control, Lens Select (manual/DC), Mirror function (H+V), Synchronization, Shutter mode
Serial interfaces	no
Cable connection	Video (BNC), Power 12VDC or 24VAC (2-pin terminal)
Kind of mounting	Integrated wall mount with ball joint
Mounting	Wall or Ceiling*)
Protection rating	IP67
Supply voltage	12VDC, 24VAC, (10.5 ~30VDC, 12 ~29VAC)
Power consumption	10.0watts max.
Temperature range (Operation)	-20°C ~+50°C
Housing material	Aluminium
Housing	Outdoor
Integrated wall mount	yes
Housing	Aluminium with clear polycarbonate window
Hidden cable management	yes
Sunshield	no
Window heater	no

VKC-1359IR/W3P

(Continuation Specifications)

Clear Shield	no
Colour (housing)	Pantone 7541
Dimensions (HxWxD)	See drawing
Weight	approx. 1.0kg
Parts supplied	Camera, Manual, "Easy installation" adapter cable, Heat shrink tube
Certificates	CE

Optional accessories

70543	VT-PS12DC-10	Plugable AC/DC Adapter 100-240V/12VDC- 2.5A, stab., Cont. & UK Mains plug-ins
77773	VT-PS12DCDT1	PSU 12VDC/1.0A, Regulated, Desktop Version, 1.8m Cables each w. open ends
70495	VT-PS12DC-7	Plugable PSU w. Cont. & UK Mains plug-in 100-240VAC/12VDC-1.25A, Regulated
70527	NE-132/AC24V	Power Supply Unit 230VAC/24VAC (1.0A)
88148	W3 INST-KIT1	Installation Kit for W3 Housings with Hidden Junction Boxes

VKC-1359IR/W3P

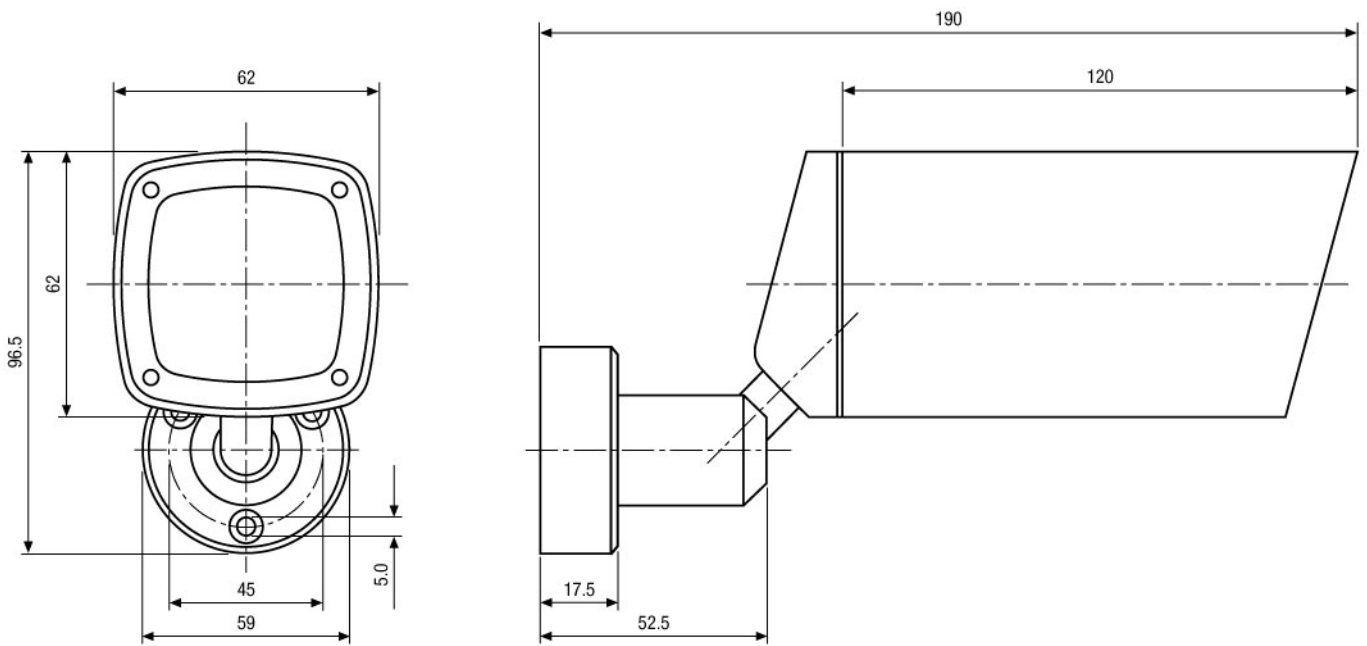
Product information

*) For ceiling installation please contact Videor in advance. They will modify the camera before shipping.

VKC-1359IR/W3P

Home | Security | Cameras | Plug & Play

Technical drawing



Maße/Dimensions: mm