

# Video Security



Cameras | Security Cameras

## VKC-135

1/3" Colour Board Camera with 4.0mm Lens  
12VDC, 480TVL

Art-No. 91506



## Features

Resolution of 480 Horizontal Lines  
CCVS and Y/C Signal Output  
Digital Signal Processing (DSP)  
Back Light Compensation (BLC)  
Electronic Shutter Control (ESC)

High and LowSpeed Shutter  
Internal Synchronization  
Automatic or Manual White Balance  
Flickerless Mode  
High Sensitivity

## Specifications

System	Colour
Video standard	PAL
Imager	CCD, Sony Super HAD Interline Transfer CCD
Sensor size	1/3"
Active picture elements	approx. 440,000, 752(H) x 582(V)
Signal processing	Digital (DSP)
Synchronization	Internal
Sensitivity (at 50% video signal)	0,57Lux, at F1.2 (VT measurement result), 4.84Lux at F3.5
Horizontal resolution	480TVL
Electronic shutter control (ESC)	1/50 ~ 1/10,000sec.
Integration rate	no
Backlight compensation	BLC, Yes
White balance	Automatic and manual (switchable)
IR cut filter	no
Mount	n/a
Lens	F3.5/4mm
Application range	security, industrial
Nominal format size	1/3"

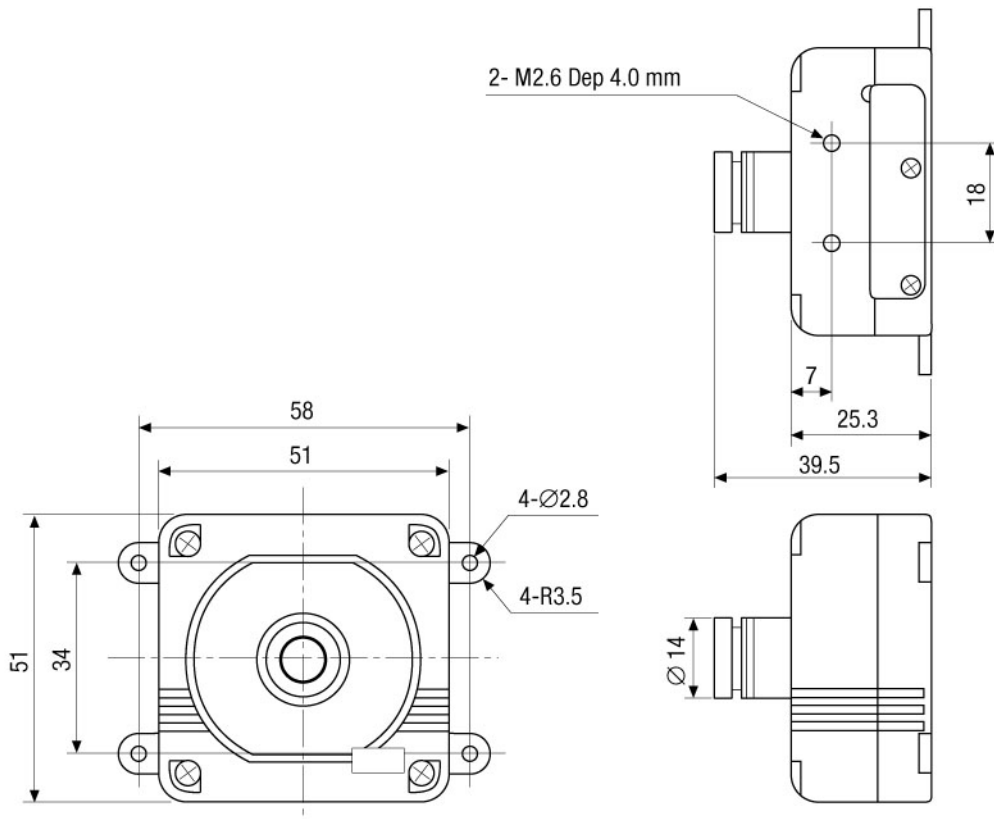
## VKC-135

(Specifications continued)

<b>Aspherical technology</b>	no
<b>Focal length</b>	4,0mm
<b>Horizontal angle of view</b>	63°
<b>Iris control</b>	DC
<b>Lens mount</b>	integrated lens
<b>Internal adjustments</b>	Elektronic shutter control ON/OFF, Manual high speed shutter, Manual low speed shutter (2 to 16 fields), Automatic white balance, Manual white balance (Red/Green), AGC ON/OFF, Flickerless mode ON/OFF, Pos./Neg. video signal output
<b>Video outputs (type)</b>	CVBS
<b>Video outputs</b>	1Vp-p, (C)VBS, 75ohms, BNC Y/C: Y=1Vp-p, 75ohms C=0.3Vp-p
<b>Serial interfaces</b>	no
<b>Supply voltage</b>	12VDC
<b>Power consumption</b>	Approx. 2watts
<b>Temperature range (Operation)</b>	-10°C ~ +40°C
<b>Housing</b>	Aluminium
<b>Colour</b>	Light grey
<b>Dimensions (HxWxD)</b>	See drawing
<b>Weight</b>	115g

## Accessories

<b>40062 / I0323M</b>	F3.5/2.3mm Board Camera Lens, 1/3" M12X0.75
<b>70448 / VT-PS12DC-6</b>	Plug-in Power Supply Unit 100-240VAC 12VDC (1.0Amp), Regulated, w. open Ends



Maße/Dimensions: mm