

Video Security

Cameras | Vandalism-Proof Camera Systems

VKC-1348/CM

1/3" Day&Night Camera with Corner Mount Housing, F1.2/3.8-9.5mm, 12VDC, 480TVL

Art-No. 92076



Features

1/3" Super HAD CCD
Sensitivity of 0.25Lux (at F1.2) at B&W
Built-in DC Iris Lens F1.2/3.8-9.5mm
Removable IR Cut Filter
Automatic Shutter Control (AES)
Automatic Gain Control (AGC)

Backlight Compensation (BLC)
Automatic White Balance (AWB)
Supply Voltage: 12VDC
Vandal & Tamper Resistant Housing
Protection Rating: IP66
For Wall, Corner and Ceiling Mount / In and Outdoor

Specifications

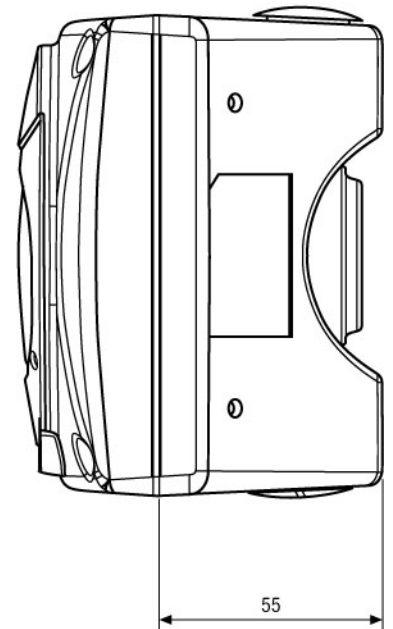
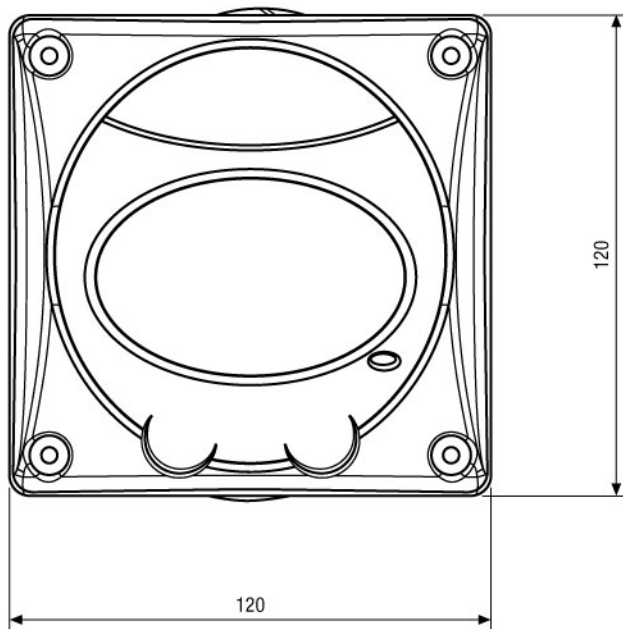
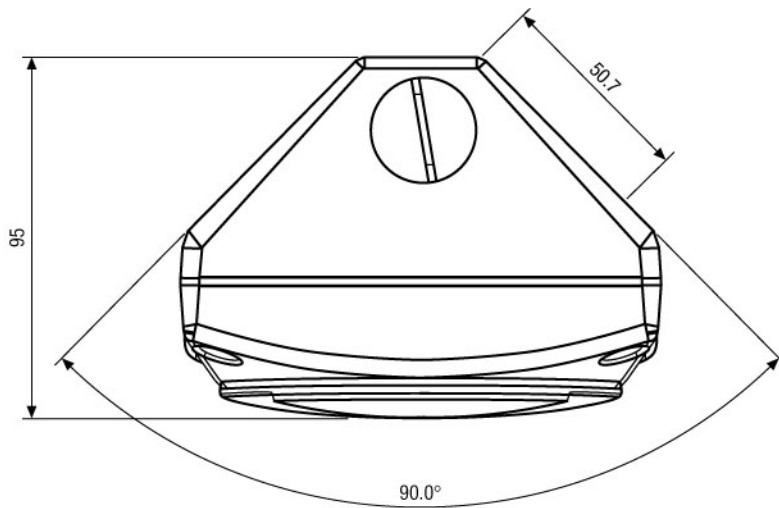
Application range	security
System	Colour
Video standard	PAL
Sensor size	1/3"
Imager	Sony Super HAD Interline Transfer CCD, CCD
Active picture elements	approx. 440,000, 752(H) x 582(V)
Synchronization	Internal
Signal-to-noise ratio	48dB
Horizontal resolution	480TVL
Sensitivity (at 50% video signal)	0,25Lux, at F1.2 (B&W). VT measurement result
Automatic shutter (AES)	1/50 ~ 1/100,000Sec. (switched OFF in case of DC iris control)
Integration rate	no
Automatic gain control (AGC)	28dB, ON/OFF switchable
White balance (ATW)	2000 ~ 8000K, Automatic tracking
Backlight compensation	BLC, Center weighted, On/Off switchable

(Specifications continued)

IR cut filter	Motorized, switchable filter. Automatic function (CDS controlled) or manual. In removed filter position, the colour signal will be switched OFF, no
Internal adjustments	AGC, BLC, ON/OFF switchable
Video outputs (type)	CVBS
Video outputs	1Vp-p, CVBS, 75ohms, BNC
Lens type	varifocal
Lens	F1.2/F2.0 ~ 360/3.8 ~ 9.5mm with galvanometer controlled iris
Lens mount	integrated lens
Mount	n/a
Nominal format size	1/3"
Aspherical technology	yes
Focal length	3,8-9,5mm
Horizontal angle of view	74,2-30°
Iris control	DC
Focus range	0.15m ~ ?
Serial interfaces	no
External connections	Wiring for video and voltage supply made, accessible from outside (1.5m long, Video: BNC jack 12V input: for DC plug 2.1/5.5mm)
Protection rating	IP66
Supply voltage	12VDC, (9 ~ 18VDC, 12VDC +/-20% recommended)
Power consumption	3.0watts max.
Temperature range (Operation)	-10° ~ +50°C
Housing material	plastic
Housing	indoor housing, Aluminium, Poly carbonate
Integrated wall mount	no
Hidden cable management	no
Window screen	PC (Lexan)
Sunshield	no
Window heater	no
Clear Shield	no
Colour (housing)	Pantone Cool Gray 1C
Dimensions (HxWxD)	See drawing
Weight	approx. 800g
Parts supplied	Camera, Tamper resistant Torx key, Mounting screw set, Heat shrink tube, Manual

Accessories

70447 / VT-PS12DC-5	Plug-in Power Supply Unit 100-240VAC 12VDC (1.0Amp), Regulated, with DC Plug
77773 / VT-PS12DCDT1	PSU 12VDC/1.0A, Regulated, Desktop Version, 1.8m Cables each w. open ends



Maße/Dimensions: mm

VIDEOR TECHNICAL E. Hartig GmbH
 Carl-Zeiss-Straße 8 · 63322 Rödermark · Germany
 Telefon +49 (0) 60 74/8 88-0 · Telefax +49 (0) 60 74/8 88-100
 info@videortechnical.com · www.videortechnical.com

