

Video Security



VKC-1345

1/3" Colour Camera with DSP, AGC, APC
BLC, ESC, AWB, 230VAC, 550TVL

Art-No. 92061



Features

Resolution of 550 Horizontal Lines
Automatic Gain Control (AGC)
High Sensitivity of 0.34Lux at F1.2
Back Light Compensation (BLC)
Electronic Shutter Control (ESC)

AI/DC Iris Lens Control
Flickerless Function
Automatic White Balance (AWB)
Supply Voltage: 230VAC

Specifications

System	CCIR/PAL
Imager	1/3" Sony Progressive scan CCD
Active picture elements	Approx. 440,000; (H) 752 x (V) 582 Pixels
Synchronization	Intern
Signal-to-noise ratio	48dB (AGC OFF)
Horizontal resolution	550 TV lines (colour)
Sensitivity at 50% video signal	0.34Lux at F1.2 (VT measurement result)
High-speed shutter (ESC)	1/50 ~ 1/100,000sec.
Automatic gain control (AGC)	ON/OFF switchable
Backlight compensation (BLC)	ON/OFF switchable
White balance (AWB)	Automatic
Flickerless function	ON/OFF switchable
Video output	1Vp-p, CVBS, 75ohms
Lens mount	C/CS
Usable iris controls	Manual iris, DC/AI controlled iris
External adjustments	ELC (manual Iris) / DC (DC Iris control) / Video (Auto Iris control) switch
External connections	Video (BNC), Voltage input
Supply voltage	100 ~ 240VAC, 50/60Hz

VKC-1345

(Specifications continued)

Power consumption	2.4watts max.
Camera mount	Mounting socket with 1/4" - 20 UNC thread. Assembling on bottom or top
Temperature range	-10°C ~ +50°C
Dimensions (HxWxD)	See drawing
Housing	Plastic
Colour	Silver grey
Weight	Approx. 430g

Accessories

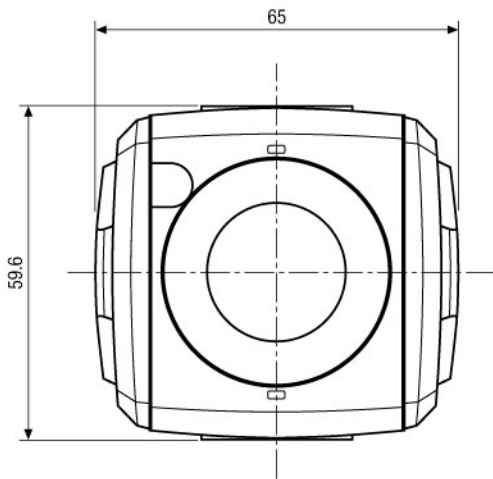
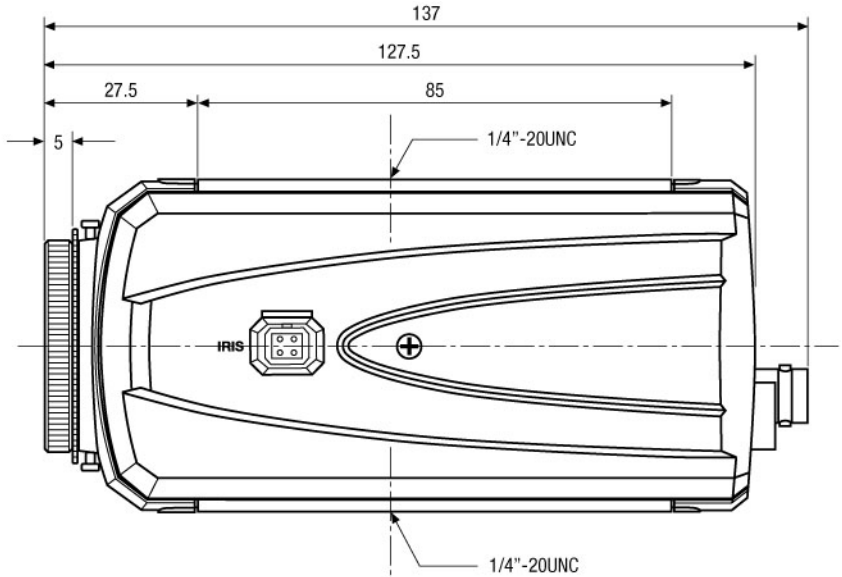
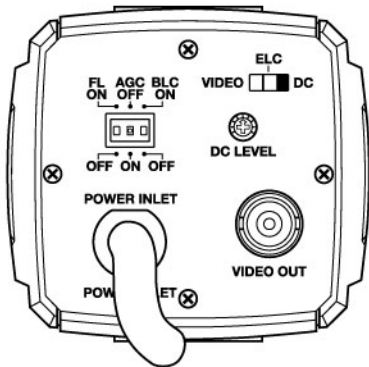
70769 / WD-22	Wall Mount Bracket with Ball Joint, 1/4" Camera Fixing Screw, Beige Grey
70771 / WD-23	Wall Mount Bracket with Ball Joint, 1/4" Camera Fixing Screw, Pantone 877
70697 / WD-21/RAL9006	Wall Mount Bracket with Ball Joint, 1/4" Camera Fixing Screw, RAL9006

Product Information

Most CCD Colour cameras, even of high quality, show very poor performance when they are working under strong backlight conditions. However, by using of Double Speed Sony CCD (Progressive Scan) and SS-2 chip set, as in the VKC-1335, this problem will be solved.

The Double Speed CCD reads both bright and dark areas separately at the same time and after that the different exposures will be combined to one image by the Wide Dynamic chip CX3151. That's why, even though there it is very bright light or spotlights on the object, the picture will remain very sharp without any blooming and smear.

Furthermore true Day and Night function, using a removable IR cut filter and a day/night lens with no focus shift, a real 24hrs. monitoring with clear image both at day and night can be realized, if the camera was optimized according to the application.



Maße/Dimensions: mm

VIDEOR TECHNICAL E. Hartig GmbH
 Carl-Zeiss-Straße 8 · 63322 Rödermark · Germany
 Telefon +49 (0) 60 74/8 88-0 · Telefax +49 (0) 60 74/8 88-100
 info@videortechnical.com · www.videortechnical.com

