

Video Security

Cameras | Board Cameras

VKC-1344/VAR49

1/3" Colour Board Camera with Lens
F1.5/4-9mm, 12VDC, 550TVL

Art-No. 92072



Features

Colour CCD Board Camera with Varifocal Lens
1/3" Super HAD CCD
Resolution of 550 Horizontal Lines
Sensitivity of 0.35Lux (at F1.2)
Built-in Lens F1.5/4-9mm with DC Iris Control
Digital Signal Processing (DSP)

Electronic Shutter Control (ESC)
Automatic Gain Control (AGC)
Backlight Compensation (BLC)
Automatic White Balance (AWB)
Supply Voltage: 12VDC
Board Dimensions: 38x38mm

Specifications

System	Colour
Video standard	PAL
Imager	CCD, Sony Super HAD Interline Transfer CCD
Sensor size	1/3"
Active picture elements	approx. 440,000, 752(H) x 582(V)
Synchronization	Internal
Signal-to-noise ratio	48dB
Sensitivity (at 50% video signal)	0,35Lux
High-speed shutter (ESC)	1/50 ~ 1/100,000sec. (On/Off switchable)
Integration rate	no
Automatic gain control (AGC)	On/Off switchable
Backlight compensation	BLC, On/Off switchable
White balance (AWB)	Automatic
IR cut filter	no
Flickerless function	1/120sec. On/Off switchable
Mount	n/a
Lens	F1,5 ~ 340/4 ~ 9mm with galvanometer driven iris
Application range	security

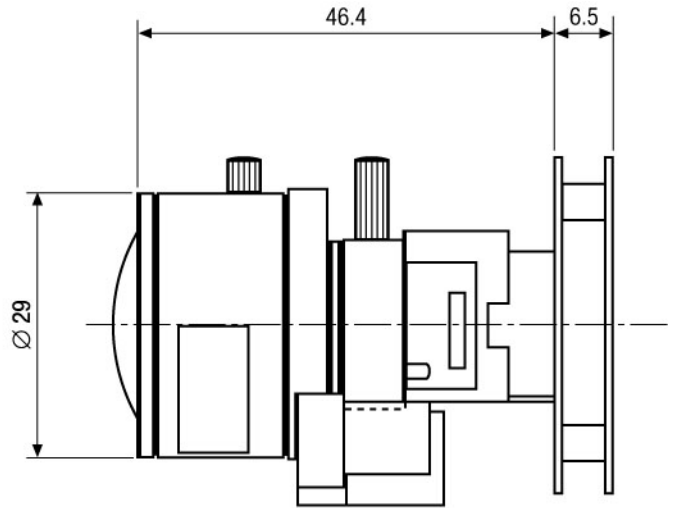
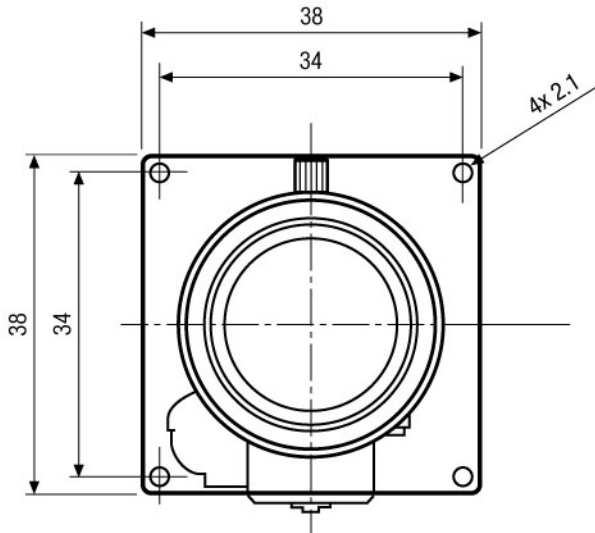
VKC-1344/VAR49

(Specifications continued)

Nominal format size	1/3"
Aspherical technology	no
Focal length	4-9mm
Horizontal angle of view	71-31,6°
Minimum object distance (MOD)	0.15m (at f4.0mm)
Iris control	no
Lens mount	integrated lens
Internal adjustments	AGC, BLC, ESC, Flickerless, DC-Iris level
External connections	Video, 12VDC (Molex socket)
Video outputs (type)	CVBS
Video outputs	1Vp-p, CVBS, 75ohms
Serial interfaces	no
Supply voltage	12VDC, (9 ~ 15VDC), 12VDC ±0,5V recommended
Power consumption	2.1watts max.
Temperature range (Operation)	-10° ~ +50°C
Mounting	2 Fixing holes at 48mm distance (diagonal)
Housing	-
Dimensions (HxWxD)	See drawing
Weight	Approx. 35g

Accessories

70447 / VT-PS12DC-5	Plug-in Power Supply Unit 100-240VAC 12VDC (1.0Amp), Regulated, with DC Plug
77773 / VT-PS12DCDT1	PSU 12VDC/1.0A, Regulated, Desktop Version, 1.8m Cables each w. open ends



Maße/Dimensions: mm

VIDEOR TECHNICAL E. Hartig GmbH
 Carl-Zeiss-Straße 8 · 63322 Rödermark · Germany
 Telefon +49 (0) 60 74/8 88-0 · Telefax +49 (0) 60 74/8 88-100
 info@videortechnical.com · www.videortechnical.com