

# Video Security



## VKC-1340/IR

1/3" Day/Night Camera, HighRes 540TVL,  
Removable IR Cut Filter, 100-240VAC

Art-No. 92039



Lens is not included with the camera

## Features

Horizontal Resolution of 560 TV Lines (B&W)  
Sensitivity of 0.14Lux at F1.2 (B&W)  
Removable IR Cut Filter  
Automatic Gain Control (AGC)  
Selectable Backlight Compensation Zones (BLC)  
Manual and Automatic Shutter Control (MES/ESC)

On-screen Menu Control, Camera Title Display  
Specials: Privacy Masking, Mirror Function  
Auto Iris and DC Iris Control  
RS-285 Interface / External Day/Night Switching  
Twisted Pair Video Output  
C/CS Mount, Supply Voltage: 100 to 240VAC

## Specifications

<b>System</b>	CCIR/PAL
<b>Video outputs</b>	1Vp-p, CVBS or VBS, 75ohms (asymmetrical); Twisted-pair output 1Vp-p, 124ohms (symmetrical); Y/C: Y= 0.7Vss, C= 0.3Vss, 75ohms
<b>Privacy Zones</b>	ON/OFF switchable
<b>Keyboard control</b>	Direct mode control with eneo EDC-KBD(M) keyboard series
<b>Imager</b>	1/3" Sony Super HAD Interline Transfer CCD
<b>Active picture elements</b>	Approx. 480,000, 795(H) x 596(V)
<b>Synchronization</b>	Line lock or internal
<b>Sensitivity at 50% video signal</b>	0.25Lux (colour), 0.14Lux (B&W).VT measurement result at F1.2)
<b>Horizontal resolution</b>	540 TV lines (Colour), 560 TVL (B&W). Normal/High selectable
<b>Auto exposure</b>	Automatic/Manual Shutter/AGC
<b>Day/Night switching</b>	By external contact closure
<b>Camera ID</b>	Via ID no.
<b>High-speed shutter (ESC)</b>	1/50 ~ 1/100,000sec.
<b>Manual electronic shutter (MES)</b>	1/50 ~ 1/100,000Sec.

## VKC-1340/IR

(Specifications continued)

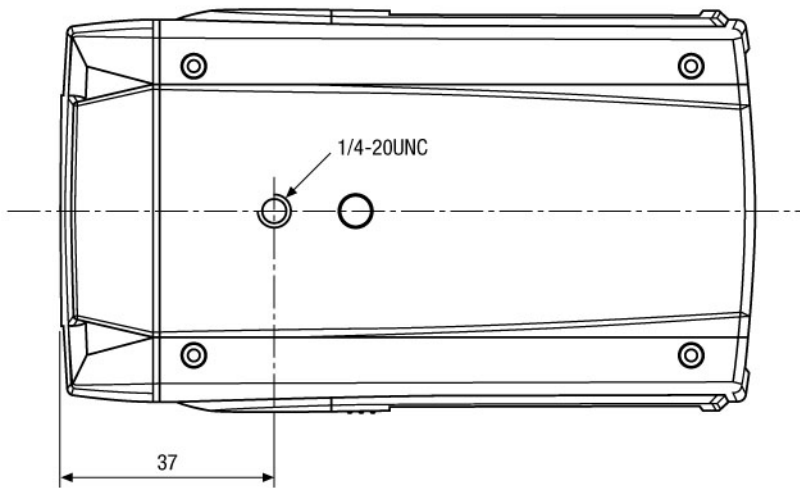
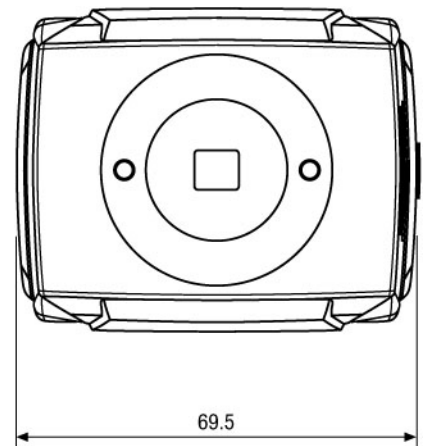
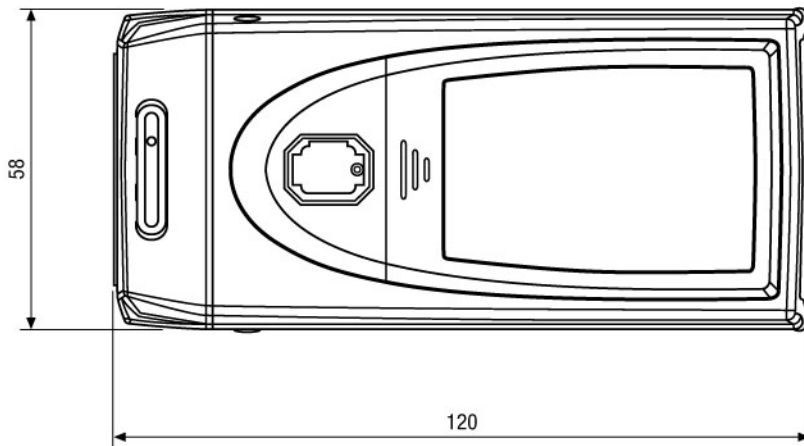
<b>Gamma correction</b>	0.45
<b>Automatic gain control (AGC)</b>	31dB (ON/OFF switchable)
<b>White balance</b>	Automatic (AWB/ATW) selectable for indoor and outdoor, or manual
<b>IR cut filter</b>	Motorized, switchable filter. Automatic function depend on the amount of light. Manual switching: see "Day/Night switching". In removed filter position, the colour signal will be switched OFF
<b>Flickerless function</b>	1/120sec., ON/OFF switchable
<b>Signal-to-noise ratio</b>	50db (AGC OFF)
<b>OSD function control</b>	Colour/B&W, AGC, Mirror (hor.), Positive/Negative. B&W ON/External, BLC, White balance, AI/DC Iris, ESC, Resolution standard/high, Colour rolling ON/OFF, Privacy zones ON/OFF, Camera ID, Default/Presets
<b>Menu driven set-up</b>	ON/OFF switchable
<b>Text display</b>	Title, Camera ID selection and Status
<b>Aperture Correction (APC)</b>	Horizontal and vertical
<b>Backlight compensation (BLC)</b>	Center/Top/Bottom and OFF
<b>Lens mount</b>	C/CS (with C mount adapter)
<b>Usable iris controls</b>	Manual iris, Auto-Iris/DC control
<b>External adjustments</b>	Menu, Cursor Up/Down/Left/Right, Video output selection Standard/Twisted-pair, Flange focus
<b>External connections</b>	Video (BNC), Y/C (4-pin), Twisted-pair video (2-pin), Serial interfaces, Power input (2-pin)
<b>Serial interfaces</b>	RS-485 Fastrax E Protocol
<b>Remote configuration</b>	Camera remote settings via keyboard
<b>Camera mount</b>	1/4" - 20 UNC thread on top and bottom
<b>Supply voltage (+/-10%)</b>	100 ~240VAC, 50/60Hz
<b>Power consumption</b>	5.5watts
<b>Temperature range</b>	-10°C ~ +50°C
<b>Dimensions (HxWxD)</b>	See drawing
<b>Colour</b>	Body: Pantone 877, Front and wings: Pantone 8400C
<b>Weight</b>	470g
<b>Parts supplied</b>	6-pin adapter cable with open ends, 4-pin lens plug, C mount adapter ring

## Accessories

<b>43249 / F07Z07NDDC-NFS</b>	F1.3/7.5-50mm DC Lens/var. Focal Length with No Focus Shift, 1/2" CS Mount
<b>70769 / WD-22</b>	Wall Mount Bracket with Ball Joint, 1/4" Camera Fixing Screw, Beige Grey
<b>70697 / WD-21/RAL9006</b>	Wall Mount Bracket with Ball Joint, 1/4" Camera Fixing Screw, RAL9006
<b>43237 / F03Z04NDDC-NFS</b>	F1.4/2.8-11mm DC Lens/var. Focal Length No Focus Shift, 1/3" CS Mount
<b>45246 / YV5X2.7R4B-SA2L</b>	F1.3/2.7-13.5mm DC Varifocal Lens, No Focus Shift, 1/3" CS Mount

(Accessories continued)

<b>43238 / F03Z2.710DC-NFS</b>	F1.0/3-8mm DC Lens/var. Focal Length with No Focus Shift, 1/3" CS Mount
<b>47154 / F0812NDDC-NFS</b>	F1.2/8mm DC Lens with No Focus Shift, 1/3" CS Mount
<b>47149 / F0612NDDC-NFS</b>	F1.2/6mm DC Lens with No Focus Shift, 1/3" CS Mount
<b>47148 / F0412NDDC-NFS</b>	F1.2/4mm DC Lens with No Focus Shift, 1/3" CS Mount
<b>47147 / F0312NDDC-NFS</b>	F1.2/2.8mm DC Lens with No Focus Shift, 1/3" CS Mount
<b>70771 / WD-23</b>	Wall Mount Bracket with Ball Joint, 1/4" Camera Fixing Screw, Pantone 877
<b>47156 / F0312M-NFS</b>	F1.2/2.8mm Fixed Focal Length Lens with No Focus Shift, 1/3" CS Mount
<b>47157 / F0412M-NFS</b>	F1.2/4mm Fixed Focal Length Lens with No Focus Shift, 1/3" CS Mount
<b>47158 / F0612M-NFS</b>	F1.2/6mm Fixed Focal Length Lens with No Focus Shift, 1/3" CS Mount
<b>47159 / F0812M-NFS</b>	F1.2/8mm Fixed Focal Length Lens with No Focus Shift, 1/3" CS Mount
<b>45251 / YV10X5R4A-SA2L</b>	F1,6/5-50mm DC Varifocal Lens with No Focus Shift, 1/3" CS Mount
<b>43239 / A10Z04NDDC-NFS</b>	F1.4/10-40mm DC Lens/var. Focal Length with No Focus Shift, 1/2" C Mount
<b>47161 / F0212NDDC-NFS</b>	F1.2/2.2mm DC Lens with No Focus Shift, 1/3" CS Mount
<b>47162 / F0212M-NFS</b>	F1.2/2.2mm Fixed Focal Length Lens with No Focus Shift, 1/3" CS Mount
<b>43251 / G04Z03NDDC-NFS</b>	F1.2/4.5-12.5mm DC Lens/variable Focal Length, No Focus Shift, 1/2" CS Mount
<b>43252 / G04Z03M-NFS</b>	F1.2/4.5-12.5mm Lens, Var. Focal Length with No Focus Shift, 1/2", CS Mount



Maße/Dimensions: mm

VIDEOR TECHNICAL E. Hartig GmbH  
Carl-Zeiss-Straße 8 · 63322 Rödermark · Germany  
Telefon +49 (0) 60 74/8 88-0 · Telefax +49 (0) 60 74/8 88-100  
info@videortechnical.com · www.videortechnical.com

