

Video Security



VKC-134/1

1/3" Colour Camera with RS-232 Port
DSP, 12VDC, 480TVL

Art-No. 91519



Lens is not included with the camera

Features

Resolution of 480 Horizontal Lines
Digital Signal Processing (DSP)
Back Light Compensation (BLC)
Electronic Shutter Control (ESC)
High and LowSpeed Shutter
Internal and External Synchronization

Genlock Input
Automatic or Manual White Balance
Flickerless Mode
High Sensitivity
RS-232 Configuration Interface
CS Mount

Specifications

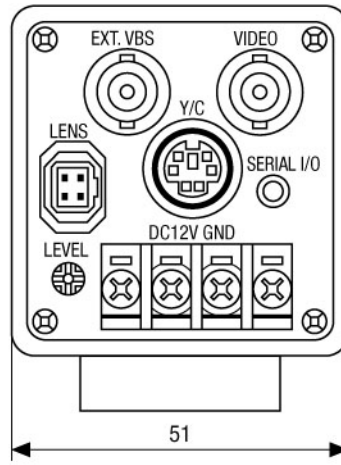
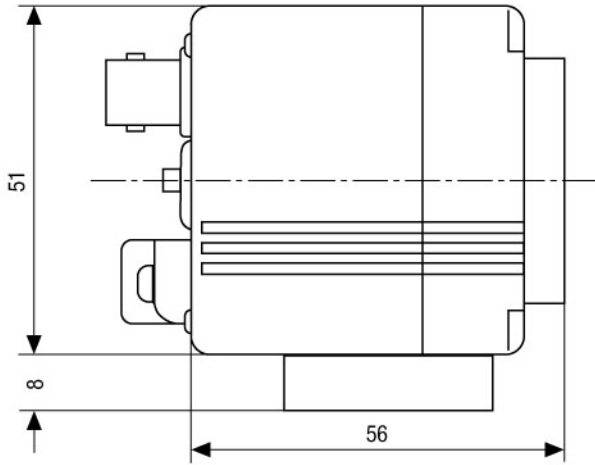
System	CCIR/PAL
Imager	1/3" Sony Super HAD Interline Transfer CCD
Active picture elements	Approx. 440,000, (H) 752 x (V) 582
Signal processing	Digital (DSP)
Synchronization	Internal / Genlock (CCVS)
Gamma correction	0.45
Horizontal resolution	480 TV lines
Sensitivity at 50% video signal	1.5 Lux at F1.2 (VT measurement result)
Electronic shutter control (ESC)	1/50 to 1/10,000 sec.
Low speed shutter (DSS)	2 to 16 Fields
Automatic gain control (AGC)	Switchable ON/OFF
Backlight compensation (BLC)	Yes (automatic)
White balance	Automatic/manual (switchable)
Video output	1 Vp-p, CVBS, 75 ohms; Y/C: Y= 1 Vp-p; C= 0.3 Vp-p, 75 ohms
Lens mount	CS
External adjustments	DC-iris level control, Flange focus

(Specifications continued)

Internal adjustments	Electronic shutter ON/OFF, Manual high speed shutter (1/50 to 1/10,000), Manual low speed shutter (2 to 16 fields), Automatic white balance, Manual white balance (Red/Green), AGC ON/OFF, Flickerless mode ON/OFF, Pos./neg. video signal output.
External connections	DC-Iris (4 pin), Video (BNC), 12 VDC input (screw connection), Y/C (6-pin Mini DIN), Genlock (BNC), RS-232 (3-pin audio jack)
Configuration Interface	RS-232C
Supply voltage	12 VDC (+/-10 %)
Power consumption	<3watts
Camera mount	2 x M6 und 1/4" - 20 UNC thread, selectable on top or bottom
Temperature range	-10°C to +40°C
Dimensions (HxWxD)	See drawing
Colour	Light grey
Weight	200 g

Accessories

91062 / VKC-134/1-SW	Software/Adapter Cable for VKC-134/1
77779 / VT-PS12DC-UK	Power Supply Unit w. UK Mains plug-in, 100-240VAC/12VDC-1.0A, Regul., open Ends
70769 / WD-22	Wall Mount Bracket with Ball Joint, 1/4" Camera Fixing Screw, Beige Grey
79364 / NE-112	Power Supply Unit 230VAC/12VDC (600mA) for VHM Housing, Regulated
79334 / NE-105S	Power Supply Unit 230VAC/12VDC (600mA) for VHB-Housing with Fuse, Regulated
70448 / VT-PS12DC-6	Plug-in Power Supply Unit 100-240VAC 12VDC (1.0Amp), Regulated, w. Open Ends



Maße/Dimensions: mm

VIDEOR TECHNICAL E. Hartig GmbH
 Carl-Zeiss-Straße 8 · 63322 Rödermark · Germany
 Telefon +49 (0) 60 74/8 88-0 · Telefax +49 (0) 60 74/8 88-100
 info@videortechnical.com · www.videortechnical.com

