

Video Security



VKC-1339/W3

1/3" Colour Camera with F1.5/4-9mm Lens,
12VDC, 330TVL

Art-No. 96070



Features

Weatherproof Camera with Swivel Head Bracket
1/3" Super HAD CCD
Resolution of 330 Horizontal Lines
Sensitivity of 0.38Lux (at F1.2)
Built-in Lens F1.5/4-9mm with DC Iris Control
Digital Signal Processing (DSP)

Automatic Shutter Control (AES)
Automatic Gain Control (AGC)
Backlight Compensation (BLC)
Automatic White Balance (ATW)
Supply Voltage: 12VDC
Hidden Cable Routing / Protection Rating: IP67

Specifications

High-speed shutter (ESC)	1/50 ~ 1/100.000sec.
System	CCIR/PAL
Imager	1/3" Sony Super HAD Interline Transfer CCD
Active picture elements	Approx. 290,000, (H) 500 x (V) 582 Pixels
Synchronization	Internal
Signal-to-noise ratio	48dB (AGC OFF)
Horizontal resolution	330 TV lines
Sensitivity at 50% video signal	0.38Lux at F1.2
Automatic gain control (AGC)	Included
Aperture Correction (APC)	Horizontal and vertical
White balance (AWB)	Automatic control
Backlight compensation (BLC)	Automatic control
IR cut filter	Low-Pass Filter
Internal adjustments	Zoom and Focus on Varifocal lens
Video output	1Vp-p, CVBS, 75ohms
Lens	F1.5~F300/4 ~ 9mm with galvanometer driven iris
Horizontal angle of view	Approx. 70° ~ 31,5°

VKC-1339/W3

(Specifications continued)

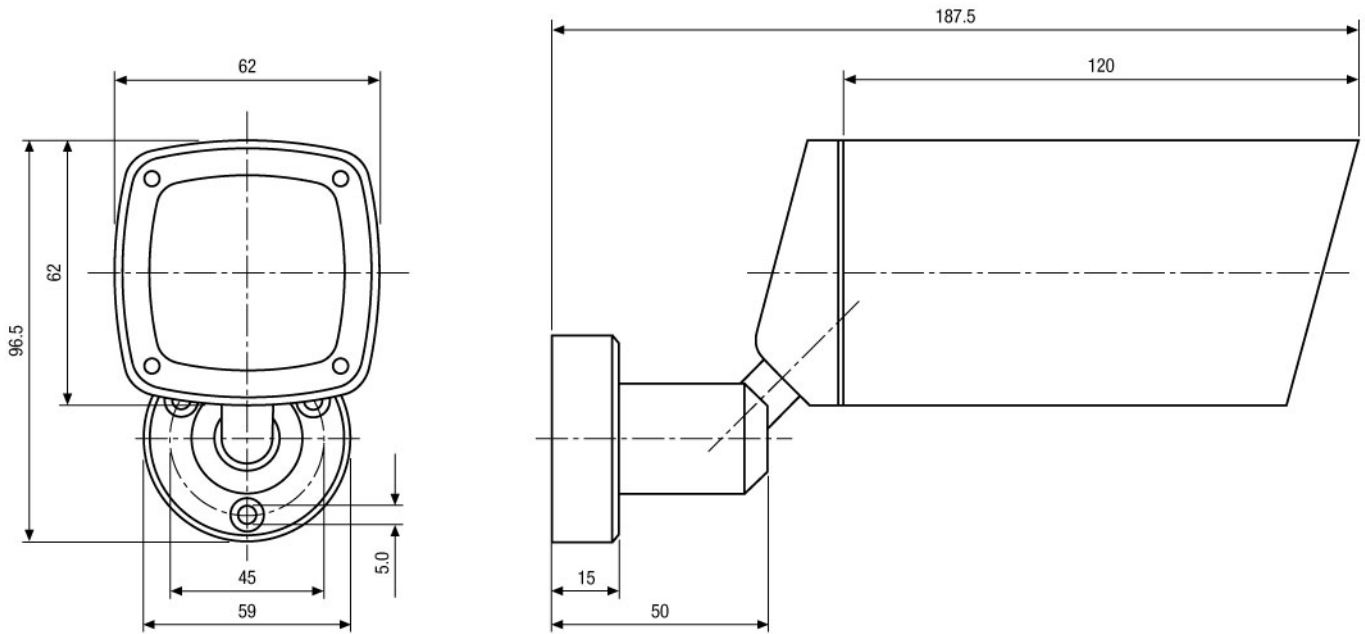
Cable connection	Wiring for video and voltage supply made, accessible from outside (1.5m long, Video: BNC jack; 12/24V input: for DC plug 2.1/5.5mm)
Hidden Cable Management Support	Fully Hidden Cable Routing
Housing	Aluminium with clear polycarbonate window
Window screen	PC (Lexan)
Colour	Pantone 7541
Kind of mounting	Integrated wall mount with ball joint
Mounting	Wall or Ceiling*)
Supply voltage	12VDC (9 ~ 15VDC), 12VDC +/-0,5V recommended
Power consumption	1.8watts max.
Temperature range	-10°C ~ +50°C
Dimensions (HxWxD)	See drawing
Weight	Approx. 680g

Accessories

77779 / VT-PS12DC-UK	Power Supply Unit w. UK Mains plug-in, 100-240VAC/12VDC-1.0A, Regul., open Ends
77772 / VT-PS12DCDT	PSU 12VDC/0,5A, Regulated, Desktop Version, 1.8m Cable each w. open ends
70447 / VT-PS12DC-5	Plug-in Power Supply Unit 100-240VAC 12VDC (1.0Amp), Regulated, with DC Plug

Product Information

*) For ceiling installation please contact Videor Technical in advance. They will modify the camera before shipping.



Maße/Dimensions: mm

VIDEOR TECHNICAL E. Hartig GmbH
 Carl-Zeiss-Straße 8 · 63322 Rödermark · Germany
 Telefon +49 (0) 60 74/8 88-0 · Telefax +49 (0) 60 74/8 88-100
 info@videortechnical.com · www.videortechnical.com

