

Video Security



VKC-1335/12-24

1/3" D&N, WDR, DSS Camera with Removable IR CF, CS Mount, 12/24V, 480TVL

Art-No. 91995



Lens is not included with the camera

Features

1/3" Progressive Scan CCD Sensor
Wide Dynamic Range (WDR)
Sensitivity of 0.0016Lux at F1.2 (DSS/Colour)
Removable IR Cut Filter / Adjustable Privacy Zones
On-screen Menu Control / Camera Titel Display
Back Light Compensation (BLC)

High- and Low Speed Shutter Control (ESC/DSS)
3x Digital Zoom and Flickerless Function
Automatic/Manual/Hold White Balance Function
Mirror/Freeze and Positive/Negative Switching
External Day/Night Selection / RS-485 Interface
C/CS Mount, Supply Voltage: 12VDC or 24VAC

Specifications

System	CCIR/PAL
Wide dynamic range	ON/OFF switchable
Imager	1/3" Sony Progressive scan CCD
Active picture elements	Approx. 440,000; (H) 752 x (V) 582 Pixels
Synchronization	Internal/Line-lock
Sensitivity at 50% video signal	0.25Lux at colour; 0.15Lux at b&w, F1.2 each and position AGC High. DSS 160x: 0.0016Lux at colour; 0.0009Lux at b&w (VT measurement result)
Horizontal resolution	480 TV lines (colour)
White balance (AWB)	Automatic/Manual/Hold
Automatic shutter control (AES)	1/50 ~ 1/10,000Sec.
Low speed shutter (DSS)	DSS: OFF / 2 ~ 20FLD / 40FLD / 80FLD / 160FLD Mode
Automatic gain control (AGC)	OFF/LOW/MID/HIGH selectable
IR cut filter	Motorized, switchable filter. Automatic function depend on the amount of light. In removed filter position, the colour signal will be switched OFF
Signal-to-noise ratio	50dB (AGC OFF)

(Specifications continued)

OSD function control	Main menu: Camera-ID no., Camera title/text, Colour/B&W switching, Scharpness, Mirror function, Positive/Negative switching. AWB: White balance red/blue, automatic. AE: Brightness, Flickerless, High speed shutter, Low speed shutter (DSS), AGC. Day&Night modes (Auto, Day, Night, external), IR Filter (Brightness level, delay). WDR: Mode, BLC. Privacy Zones: Area, Masking, X/Y start/end. Display: OSD, Function display ON/OFF. Initial: Camera settings ON/OFF
Serial port	RS-485 (control S/W, interface protocol: upon request)
Lens mount	C/CS
Usable iris controls	Manual iris, DC controlled iris
External adjustments	Menu display: ON/OFF, Cursor (Zoom) Up (Tele) / Down (Wide) / Left / Right; Line-lock adjustment (24VAC supply only); ELC (manual Iris) / DC (DC Iris control) switch
Video output	1Vp-p, (C)VBS, 75ohms
External connections	Video (BNC), 12VDC/24VAC Input, 6-pin RS-485 control
Camera mount	Mounting socket with 1/4" - 20 UNC thread. Assembling on bottom or top
Supply voltage	12VDC (10 ~15V), 24VAC (20 ~ 28V) 50/60Hz
Power consumption	3.6watts max.
Temperature range	-10°C ~ +50°C
Dimensions (HxWxD)	See drawing
Housing	Plastic
Colour	Silver grey
Weight	Approx. 430g

Accessories

77779 / VT-PS12DC-UK	Power Supply Unit w. UK Mains plug-in, 100-240VAC/12VDC-1.0A, Regul., open Ends
77772 / VT-PS12DCDT	PSU 12VDC/0,5A, Regulated, Desktop Version, 1.8m Cable each w. open ends
70447 / VT-PS12DC-5	Plug-in Power Supply Unit 100-240VAC 12VDC (1.0Amp), Regulated, with DC Plug
43248 / A04Z12NDDC-NFS	F1.2/4-12mm DC Lens/var. Focal Length with No Focus Shift, 1/2" C Mount
43239 / A10Z04NDDC-NFS	F1.4/10-40mm DC Lens/var. Focal Length with No Focus Shift, 1/2" C Mount
43249 / F07Z07NDDC-NFS	F1.3/7.5-50mm DC Lens/var. Focal Length with No Focus Shift, 1/2" CS Mount
43252 / G04Z03M-NFS	F1.2/4.5-12.5mm Lens, Var. Focal Length with No Focus Shift, 1/2", CS Mount
43251 / G04Z03NDDC-NFS	F1.2/4.5-12.5mm DC Lens/variable Focal Length, No Focus Shift, 1/2" CS Mount
70769 / WD-22	Wall Mount Bracket with Ball Joint, 1/4" Camera Fixing Screw, Beige Grey
70771 / WD-23	Wall Mount Bracket with Ball Joint, 1/4" Camera Fixing Screw, Pantone 877

(Accessories continued)

70697 / WD-21/RAL9006

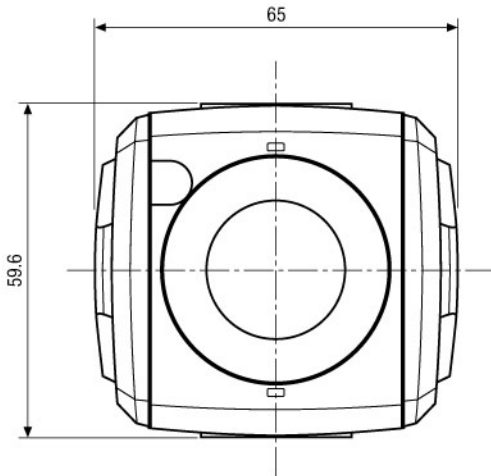
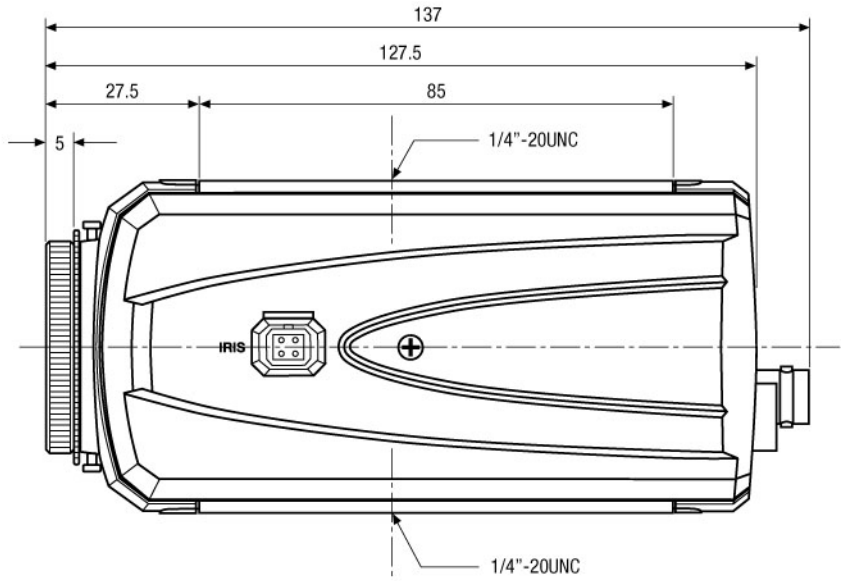
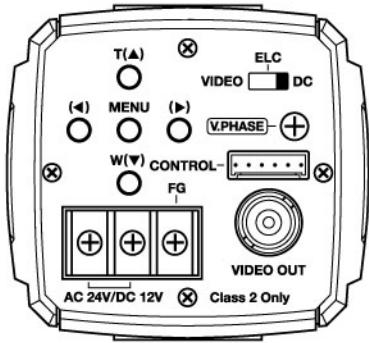
Wall Mount Bracket with Ball Joint, 1/4" Camera Fixing Screw, RAL9006

Product Information

Most CCD Colour cameras, even of high quality, show very poor performance when they are working under strong backlight conditions. However, by using of Double Speed Sony CCD (Progressive Scan) and SS-2 chip set, as in the VKC-1335/12-24V, this problem will be solved.

The Double Speed CCD reads both bright and dark areas separately at the same time and after that the different exposures will be combined to one image by the Wide Dynamic chip CX3151. That's why, even though there it is very bright light or spotlights on the object, the picture will remain very sharp without any blooming and smear.

Furthermore true Day and Night function, using a removable IR cut filter and a day/night lens with no focus shift, a real 24hrs. monitoring with clear image both at day and night can be realized, if the camera was optimized according to the application.



Maße/Dimensions: mm

VIDEOR TECHNICAL E. Hartig GmbH
 Carl-Zeiss-Straße 8 · 63322 Rödermark · Germany
 Telefon +49 (0) 60 74/8 88-0 · Telefax +49 (0) 60 74/8 88-100
 info@videortechnical.com · www.videortechnical.com

