

Video Security



VKC-1332/SMD

1/3" Colour Camera with 3.6mm Lens
in Smoke Detector Housing, 12VDC, 470TVL

Art-No. 91987



Features

For Wall and Drop Ceiling Mount
Resolution of 470 Horizontal Lines
Built-in Pinhole Lens F2.0/3.6mm
Automatic Shutter Control (AES)

Internal Synchronization
Supply Voltage: 12 VDC
Easy Installation

Specifications

Imager	1/3" Interline transfer CCD
Picture elements	Approx. 440,000 (H) 782 x (V) 582
System	CCIR/PAL
Synchronization	Internal
Sensitivity at 50% video signal	1.4Lux at F2.0 / 0.5Lux at F1.2 (VT measurement result)
Horizontal resolution	470 TV lines
Signal-to-noise ratio	46dB (AGC OFF)
Automatic shutter control (AES)	1/50 ~ 1/100,000Sec.
Automatic white balance (AWB)	2000 ~ 10000K
Gamma correction	0.45
Lens	F2.0/3.6mm
Horizontal angle of view	69°
External connections	Video (BNC), 12VDC (DC plug)
Video output	1Vp-p, CVBS, 75ohms
Supply voltage	12VDC (+/-10 %)
Power consumption	1.2watts
Temperature range	-10° ~ +50°C
Housing	Plastic
Mounting	Wall and drop ceiling mount
Colour	White

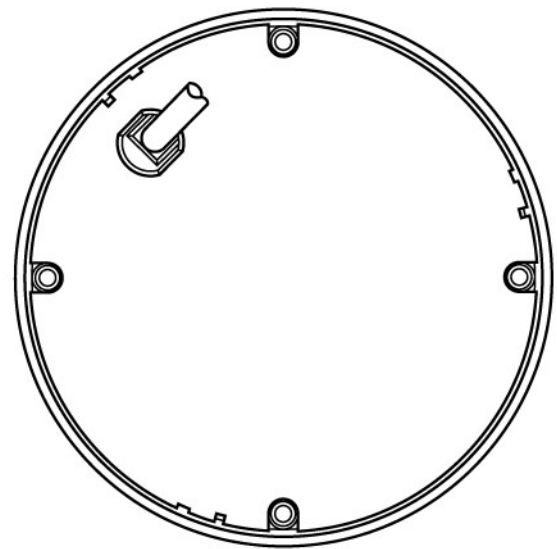
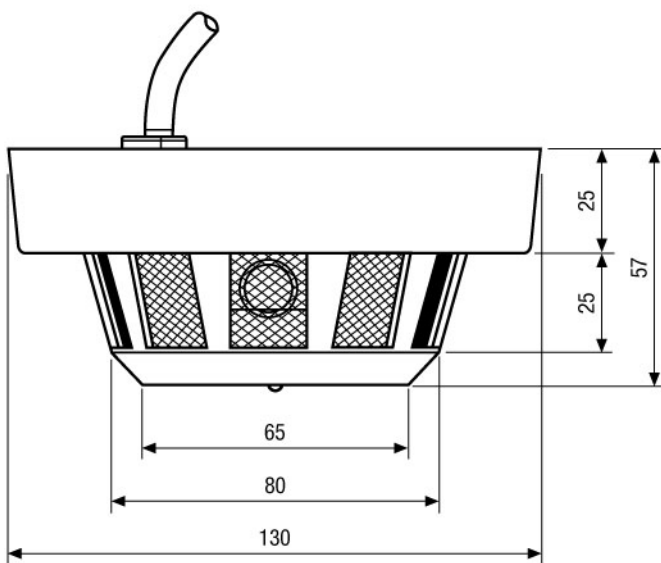
VKC-1332/SMD

(Specifications continued)

Dimensions (DxH)	See drawing
Weight	140g

Accessories

77779 / VT-PS12DC-UK	Power Supply Unit w. UK Mains plug-in, 100-240VAC/12VDC-1.0A, Regul., open Ends
70447 / VT-PS12DC-5	Plug-in Power Supply Unit 100-240VAC 12VDC (1.0Amp), Regulated, with DC Plug
77772 / VT-PS12DCDT	PSU 12VDC/0,5A, Regulated, Desktop Version, 1.8m Cable each w. open ends



Maße/Dimensions: mm

VIDEOR TECHNICAL E. Hartig GmbH
Carl-Zeiss-Straße 8 · 63322 Rödermark · Germany
Telefon +49 (0) 60 74/8 88-0 · Telefax +49 (0) 60 74/8 88-100
info@videortechnical.com · www.videortechnical.com

