

Video Security

Cameras | Plug & Play Camera Systems

VKC-1327A-IR/W3

1/3" Day/Night Camera w. IR Illumination
F1.2/3.8-9.5mm, 12VDC/24VAC, 540TVL

Art-No. 96086



Features

Weatherproof Camera with Swivel Head Bracket
1/3" Day/Night CCD Camera with Varifocal Lens
Built-in Lens F1.2/3.8-9.5mm with DC Iris Control
Sensitivity of 0.15Lux (AGC Turbo, B&W Operation)
Resolution of 540 Horizontal Lines
Removable IR Cut Filter

Automatic Shutter Control (AES)
Back Light Compensation (BLC)
IR Illumination by 15 integrated 850nm LED's
Supply Voltage: 12VDC / Fully Hidden Cable Routing
Protection Rating: IP67
Certified according to BGV Kassen

Specifications

Application range	day/night, security
System	day&night
Video standard	CCIR/PAL
Sensor size	1/3"
Imager	Sony Super HAD Interline Transfer CCD, CCD
Active picture elements	approx. 440,000, 752(H) x 582(V)
Synchronization	Internal/Line-lock (automatic detection depend on power source)
Signal-to-noise ratio	48dB
Gamma correction	approx. 0.45
Horizontal resolution	540TVL
Sensitivity (at 50% video signal)	0,5Lux, (0.32Lux), Colour, 0.24Lux (0.15Lux), B&W at F1.2 each (AGC-Turbo). VT measurement result
Automatic shutter control (AES)	1/50 ~ 1/100,000sec.
Integration rate	no
Automatic gain control (AGC)	28dB max. Normal (Turbo +6dB), AGC OFF
White balance (ATW)	2500 ~ 8000K, Automatic tracking
Backlight compensation	BLC, Center weighted (On/Off switchable)

(Specifications continued)

IR cut filter	Motorized, switchable filter. Automatic function depend on the amount of light. Manual switching: see "switching-over colour/b&w". In removed filter position, the colour signal will be switched OFF, yes
Internal adjustments	8 Dip switches: Internal/Line-lock synchronization, ELC/ALC (manual/motorized Iris), BLC ON/OFF, AGC Normal/Turbo, Flickerless ON/OFF, Scharpness Normal/Scharp, Day/Night mode Enabled/Disabled, IR mode ON/OFF (Iteration reduction between day and night position). 2 Potentiometers: Level for DC controlled iris, V. phase adjustment (220° min. adjustable)
Video outputs (type)	CVBS, VBS
Video outputs	1Vp-p, (C)VBS, 75ohms, BNC
Lens type	varifocal
Lens	F1.2/F2.0 ~ 360/3.8 ~ 9.5mm with galvanometer controlled iris
Lens mount	integrated lens
Mount	n/a
Nominal format size	1/3"
Aspherical technology	yes
Focal length	3,8-9,5mm
Horizontal angle of view	74,2-30°
Iris control	DC
Focus range	0.15m ~ ?
Illumination	12x LED's 850nm / 3x LED's 880nm. Due to an integrated light sensor the LED illumination will be switched ON/OFF, depending from environmental illumination conditions. Full IR emission amount is guaranteed at >11VDC guaranteed at >11VDC.
Illumination range	15m (at a good light reflexion and 40% Videosignal)
Serial interfaces	no
Cable connection	Wiring for video and voltage supply made, accessible from outside (1.5m long, Video: BNC jack 12/24V input: 2-pin screw terminal)
Kind of mounting	Integrated wall mount with ball joint
Mounting	Wall or Ceiling*)
Protection rating	IP67
Supply voltage	12VDC, 24VAC, (10.5 ~ 30VDC, 12 ~ 29VAC)
Power consumption	approx. 5,0watts
Temperature range (Operation)	-20°C ~ +50°C
Housing material	aluminium
Housing	outdoor housing, Aluminium with clear polycarbonate window
Integrated wall mount	yes
Hidden cable management	yes
Window screen	PC (Lexan)
Sunshield	no
Window heater	no

VKC-1327A-IR/W3

(Specifications continued)

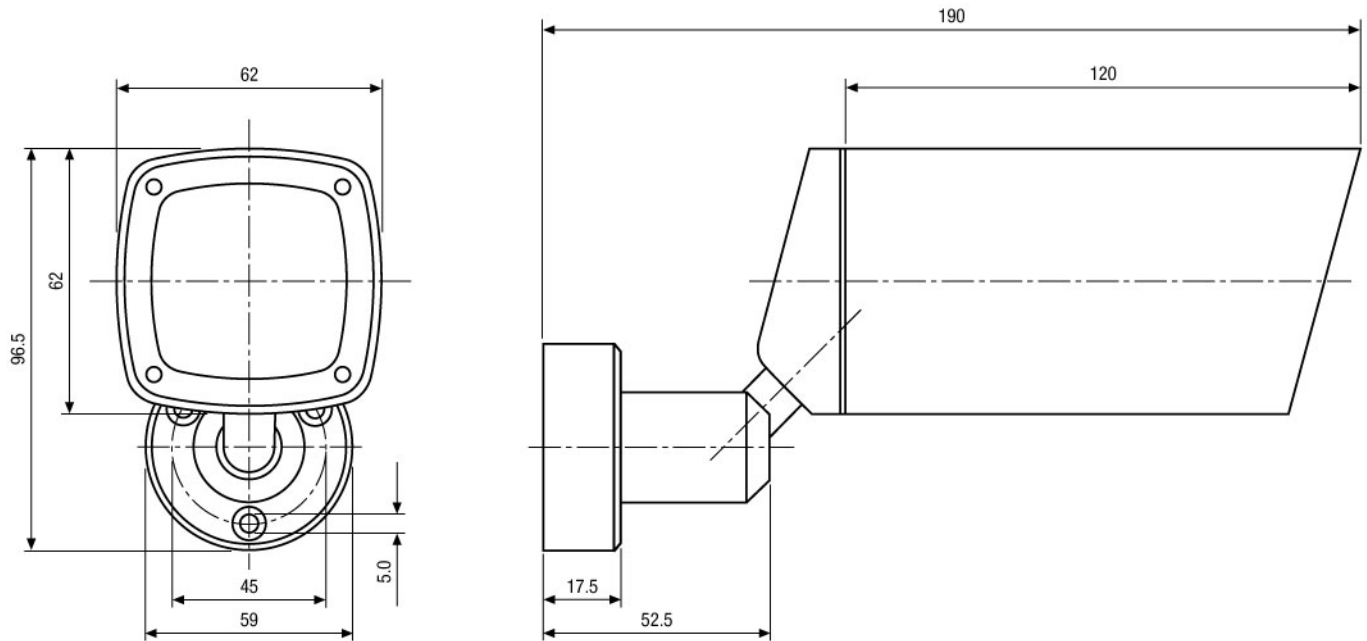
Hidden Cable Management Support	Supplied
Clear Shield	no
Colour (housing)	Pantone 7541
Weight	approx. 680g
Parts supplied	Camera, Manual, "Easy installation" adapter cable, Heat shrink tube

Accessories

70448 / VT-PS12DC-6	Plug-in Power Supply Unit 100-240VAC 12VDC (1.0Amp), Regulated, w. open Ends
73844 / FW7362/12	Plugable AC/DC Adapter 100-240V/12VDC-2.5A, Regulated
77773 / VT-PS12DCDT1	PSU 12VDC/1.0A, Regulated, Desktop Version, 1.8m Cables each w. open ends
88148 / W3 INST-KIT1	Installation Kit for W3 Housings: Mount Adapter, Decoration Plate, Screw Set

Product Information

*) For ceiling installation please contact Videor Technical in advance. They will modify the camera before shipping.



Maße/Dimensions: mm

VIDEOR TECHNICAL E. Hartig GmbH
 Carl-Zeiss-Straße 8 · 63322 Rödermark · Germany
 Telefon +49 (0) 60 74/8 88-0 · Telefax +49 (0) 60 74/8 88-100
 info@videortechnical.com · www.videortechnical.com

