

# Video Security

Dome Cameras | eneo Vandalism-Proof Fix Domes

## VKC-1327/WDDG2

1/3" Day&Night Dome Camera, Surface Mnt.  
F1.2/3.8-9.5mm, Removable IR CF, 480TVL

Art-No. 91956



## Features

For Wall and Drop-ceiling Mount  
Vandal and Tamper-Resistant  
Clear Lexan Bubble with Inner Liner  
1/3" Day/Night CCD Board Camera with Varifocal Lens  
Built-in Lens F1.2/3.8-9.5mm with DC Iris Control  
Resolution of 480 Horizontal Lines

Removable IR Cut Filter  
Automatic Shutter Control (AES)  
Back Light Compensation (BLC)  
Manual 3-axis Camera Adjustment  
For Easy Indoor and Outdoor Installation  
Certified according to BGV Kassen

## Specifications

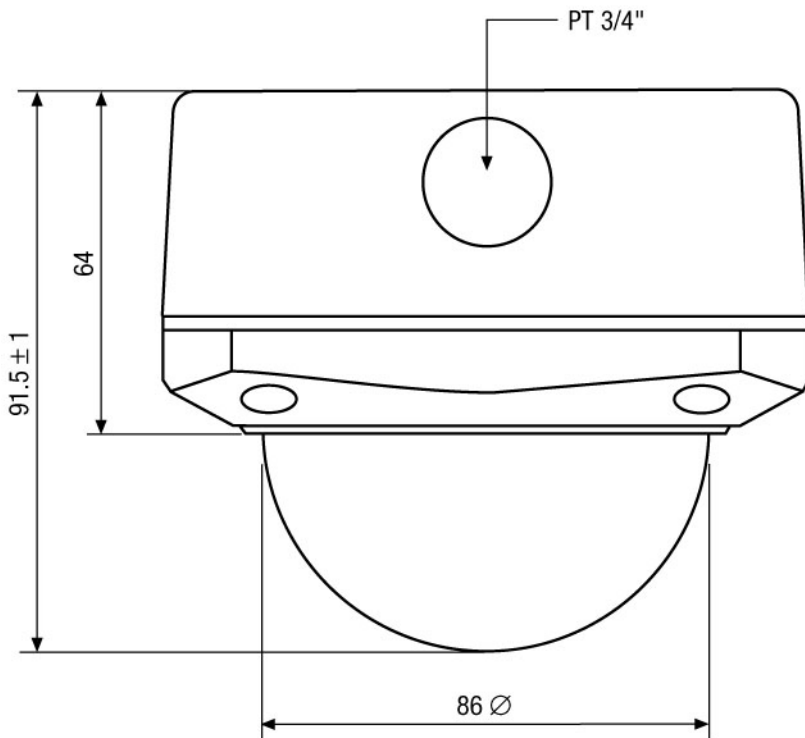
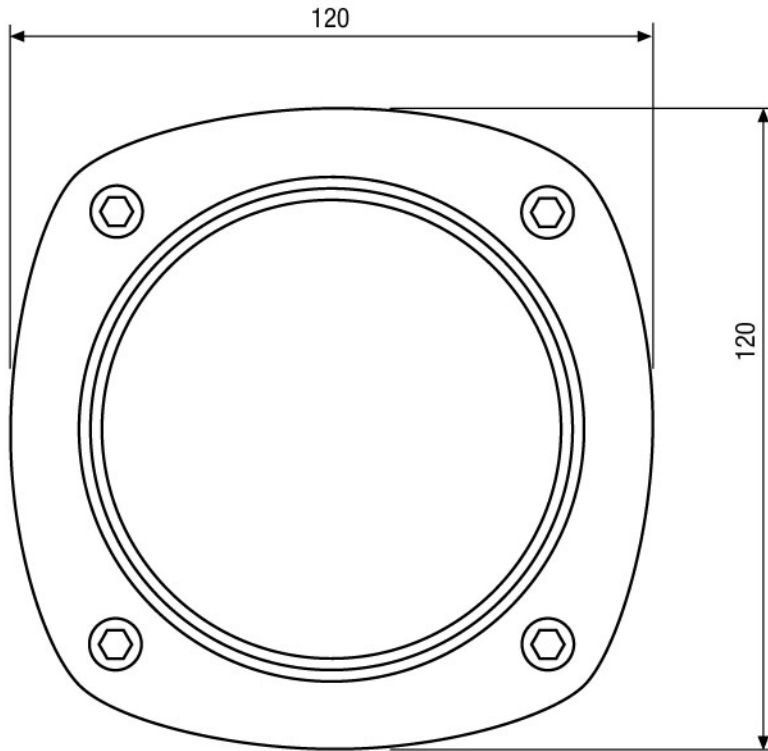
Video standard	CCIR/PAL
System	day&night, CCIR/PAL
Sensor size	1/3"
Imager	CCD, Sony Super HAD Interline Transfer CCD
Active picture elements	approx. 440,000, 752(H) x 582(V)
Synchronization	Internal/Line-lock (automatic detection depend on power source)
Signal-to-noise ratio	48dB
Sensitivity (at 50% video signal)	0,5Lux, (0.32Lux), Colour, 0.24Lux (0.15Lux), B&W at F1.2 each (AGC-Turbo). VT measurement result
Horizontal resolution	480TVL
Rotation range	manual: 360°
Automatic gain control (AGC)	Normal/Turbo (+6dB)
Gamma correction	approx. 0.45
Automatic shutter control (AES)	1/50 ~ 1/100,000sec.
Integration rate	no
White balance (ATW)	2000 ~ 8000K, Automatic
Backlight compensation	BLC, On/Off switchable

(Specifications continued)

<b>IR cut filter</b>	yes
<b>Video outputs (type)</b>	CVBS, VBS
<b>Video outputs</b>	1Vp-p, CVBS, 75ohms
<b>Lens mount</b>	integrated lens
<b>Lens type</b>	varifocal
<b>Lens</b>	F1.2/F2.0~360 / 3.8~9.5mm with galvanometer controlled iris
<b>Application range</b>	security
<b>Nominal format size</b>	1/3"
<b>Aspherical technology</b>	yes
<b>Focal length</b>	3,8-9,5mm
<b>Horizontal angle of view</b>	74,2-30°
<b>Focus range</b>	0.15m ~ ?
<b>Iris control</b>	DC
<b>Mount</b>	n/a
<b>Internal adjustments</b>	8 Dip switches: Internal/Line-lock synchronization, ELC/ALC (manual/motorized Iris), BLC ON/OFF, AGC Normal/Turbo, Flickerless ON/OFF, Sharpness Normal/Scharp, Day/Night mode Enabled/Disabled, IR mode ON/OFF (Iteration reduction between day and night position). 2 Potentiometers: Level for DC controlled iris, V. phase adjustment (220° min. adjustable)
<b>Cable connection</b>	Video (BNC), Power (2-pin screw terminal)
<b>Cable entry</b>	3/4" and 1/2" thread for conduit glands, lock stopper included
<b>Serial interfaces</b>	no
<b>Temperature range (Operation)</b>	-10° ~ +50°C
<b>Heater</b>	optional
<b>Thermostat switching points</b>	+2.4°C ON / +22°C OFF (heater kit 12V, #71664, optional)
<b>Temperature range with built-in heater</b>	-30°C ~ +50°C
<b>Protection rating</b>	IP65, at installation according to the manual
<b>Supply voltage</b>	12VDC, 24VAC, 12VDC (10.5~30VDC) 24VAC (12~29VAC)
<b>Power consumption</b>	approx. 3.0watts
<b>Vandalism resistant</b>	yes
<b>Bubble</b>	Vandal resistant 3mm clear polycarbonate bubble with inner liner
<b>Colour (bubble)</b>	clear
<b>Camera fixing</b>	board
<b>Mounting</b>	surface mount, wall mount
<b>Housing</b>	outdoor housing, Die-cast aluminium with clear polycarbonate bubble
<b>Housing material</b>	aluminium
<b>Colour (housing)</b>	Pantone Cool Gray 1C
<b>Dimensions (HxWxD)</b>	See drawing
<b>Weight</b>	approx. 750g
<b>Parts supplied</b>	Mounting kit, 1/2" gland, Blind covers, Torx wrench key

## Accessories

<b>71664 / WDDG2/H12</b>	Low Voltage Heater Kit 12V/8W for WDDG-2 housing
<b>73844 / FW7362/12</b>	Plugable AC/DC Adapter 100-240V/12VDC-2.5A, Regulated
<b>70448 / VT-PS12DC-6</b>	Plug-in Power Supply Unit 100-240VAC 12VDC (1.0Amp), Regulated, w. open Ends
<b>77773 / VT-PS12DCDT1</b>	PSU 12VDC/1.0A, Regulated, Desktop Version, 1.8m Cables each w. open ends
<b>88149 / 3/4" - M25X1.5</b>	Thread Adapter 3/4" - Conduit Connection M25x1.5mm for Dome Surface Mount Housing



Maße/Dimensions: mm

VIDEOR TECHNICAL E. Hartig GmbH  
 Carl-Zeiss-Straße 8 · 63322 Rödermark · Germany  
 Telefon +49 (0) 60 74/8 88-0 · Telefax +49 (0) 60 74/8 88-100  
 info@videortechnical.com · www.videortechnical.com