

Video Security



VKC-1327/W3

1/3" Day/Night Camera w. F1.3/3.8-9.5mm Lens, 12VDC/24VAC, 480TVL

Art-No. 96059



Features

Weatherproof Camera with Swivel Head Bracket
1/3" Day/Night CCD Camera with Varifocal Lens
Built-in Lens F1.3/3.8-9.5mm with DC Iris Control
Sensitivity: 0.15Lux at F1.2 (AGC-Turbo, B&W)
Resolution of 480 Horizontal Lines
Removable IR Cut Filter

Automatic Shutter Control (AES)
Back Light Compensation (BLC)
Supply Voltage: 12VDC
Fully Hidden Cable Routing
Protection Rating: IP67
Certified according to BGV Kassen

Specifications

System	CCIR/PAL
Imager	1/3" Sony Super HAD Interline Transfer CCD
Active picture elements	Ca. 440.000, (H) 752 x (V) 582 Pixels
Synchronization	Internal/Line-lock (automatic detection depend on power source)
Signal-to-noise ratio	48dB
Gamma correction	Approx. 0.45
Horizontal resolution	480 TV lines
Sensitivity at 50% video signal	0.5Lux (0.32Lux) at colour; 0.24Lux (0.15Lux) at B&W; at F1.2 each (AGC-Turbo), VT measurement result
Automatic shutter control (AES)	1/50 ~ 1/100.000Sec.
Automatic gain control (AGC)	28dB max. Normal (Turbo +6dB), AGC OFF
White balance (ATW)	2500 ~ 8000K, Automatic tracking
Backlight compensation (BLC)	Center weighted (ON/OFF switchable)

(Specifications continued)

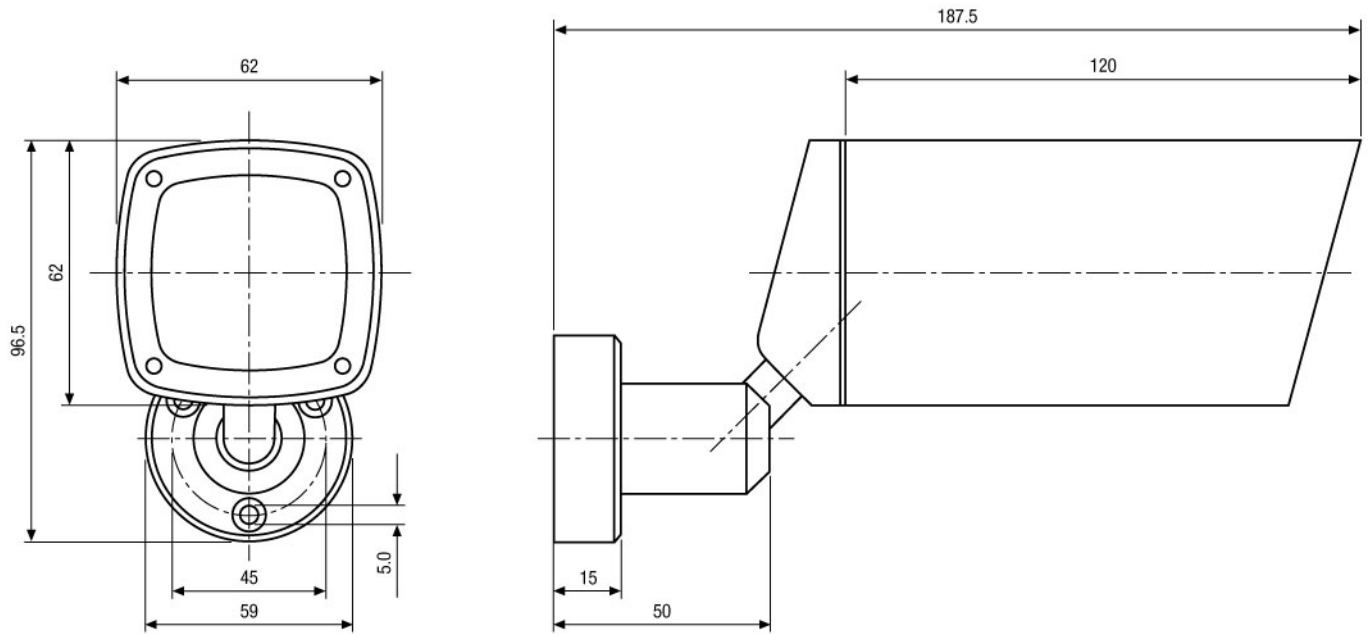
Internal adjustments	8 Dip switches: Internal/Line-lock synchronization, ELC/ALC (manual/motorized Iris), BLC ON/OFF, AGC Normal/Turbo, Flickerless ON/OFF, Sharpness Normal/Scharp, Day/Night mode Enabled/Disabled, IR mode ON/OFF (Iteration reduction between day and night position). 2 Potentiometers: Level for DC controlled iris, V. phase adjustment (220° min. adjustable)
Video output	1Vp-p, CVBS, 75ohms
Lens	F1.2/F2.0 ~ 360/3.8 ~ 9.5mm with galvanometer driven iris
Focus range	0.15m ~ ∞
Horizontal angle of view	74.2° ~ 30°
Cable connection	Wiring for video and voltage supply made, accessible from outside (1.5m long, Video: BNC jack; 12/24V input: 2-pin screw terminal)
Hidden Cable Management Support	Fully Hidden Cable Routing
Housing	Aluminium with clear polycarbonate window
Window screen	PC (Lexan)
Kind of mounting	Integrated wall mount with ball joint
Mounting	Wall or Ceiling*)
Supply voltage	12VDC (10.5 ~ 30VDC); 24VAC (12 ~ 29VAC)
Power consumption	Approx. 3.0watts
Temperature range	-20°C ~ +50°C (Camera module)
Dimensions (HxWxD)	See drawing
Weight	Approx. 680g

Accessories

73844 / FW7362/12	Plugable AC/DC Adapter 100-240V/12VDC-2.5A, Regulated
70447 / VT-PS12DC-5	Plug-in Power Supply Unit 100-240VAC 12VDC (1.0Amp), Regulated, with DC Plug
77772 / VT-PS12DCDT	PSU 12VDC/0,5A, Regulated, Desktop Version, 1.8m Cable each w. open ends
77779 / VT-PS12DC-UK	Power Supply Unit w. UK Mains plug-in, 100-240VAC/12VDC-1.0A, Regul., open Ends

Product Information

*) For ceiling installation please contact Videor Technical in advance. They will modify the camera before shipping.



Maße/Dimensions: mm

VIDEOR TECHNICAL E. Hartig GmbH
 Carl-Zeiss-Straße 8 · 63322 Rödermark · Germany
 Telefon +49 (0) 60 74/8 88-0 · Telefax +49 (0) 60 74/8 88-100
 info@videortechnical.com · www.videortechnical.com

