

VKC-1324A/W3

Home | Security | Cameras | Plug & Play

VKC-1324A/W3

1/3" Camera, Colour, F1.2/3.8-9.5mm, 540TVL,

12VDC

Art-Nr. 96087



Main Features

Weatherproof Camera with Swivel Head Bracket
1/3" Colour CCD Camera with Varifocal Lens
Built-in Lens F1.2/3.8-9.5mm with DC Iris Control
Sensitivity: 0.5Lux
Resolution of 540 Horizontal Lines
Digital Signal Processing (DSP)

Automatic Shutter Control (AES)
Back Light Compensation (BLC)
Supply Voltage: 12VDC
Fully Hidden Cable Routing
Protection Rating: IP67
Certified according to BGV Kassen

Specifications

Series	W3 Plug & Play
System	Colour
Video standard	CCIR/PAL
Sensor size	1/3"
Imager	CCD, Sony Super HAD Interline Transfer
Active picture elements	440,000, 752(H) x 582(V)
Synchronization	Internal
Signal-to-noise ratio	48dB
Gamma correction	approx. 0.45
Horizontal resolution	540 TVL
Sensitivity (at 50% video signal)	0.5Lux at F1.2 (Videor measurement result)
Automatic electronic shutter (ESC)	1/50 - 1/100,000sec.
Low Speed Shutter	no

VKC-1324A/W3

(Continuation Specifications)

Automatic gain control (AGC)	28dB (AGC OFF)
Digital Noise Reduction (DNR)	no
White balance	Automatic (2000K - 8000K)
Backlight compensation	BLC
Wide Dynamic Range (WDR)	no
Backlight compensation	Center weighted
IR cut filter	standard
Video outputs	CVBS
Lens type	varifocal
Lens	F1.2/F2.0 ~360/3.8 ~9.5mm with galvanometer controlled iris
Aspherical technology	yes
Focal length	3,8 mm - 9,5 mm
Horizontal angle of view	74,2° - 30°
Iris control	DC
Filter screw size	not available
MOD (Minimum object distance)	0,15 m
Illumination	no
Serial interfaces	no
Cable connection	Wiring for video and voltage supply made, accessible from outside (1.5m long, Video: BNC jack 12/24V input: for DC plug 2.1/5.5mm)
Kind of mounting	Integrated wall mount with ball joint
Mounting	Wall or Ceiling*)
Protection rating	IP67
Supply voltage	12VDC, (9 ~18VDC)
Power consumption	3.0watts max.
Temperature range (Operation)	-20°C ~+50°C
Housing material	Aluminium
Housing	Outdoor
Integrated wall mount	yes
Hidden cable management	yes
Window screen	Acrylic glass (clear)
Sunshield	no
Window heater	no
Clear Shield	no
Colour (housing)	Pantone 7541
Weight	280g
Parts supplied	Camera, Manual, "Easy installation" adapter cable, Heat shrink tube
Certificates	CE

Optional accessories

VKC-1324A/W3

70543	VT-PS12DC-10	Plugable AC/DC Adapter 100-240V/12VDC- 2.5A, stab., Cont. & UK Mains plug-ins
77773	VT-PS12DCDT1	PSU 12VDC/1.0A, Regulated, Desktop Version, 1.8m Cables each w. open ends
88148	W3 INST-KIT1	Installation Kit for W3 Housings with Hidden Junction Boxes

VKC-1324A/W3

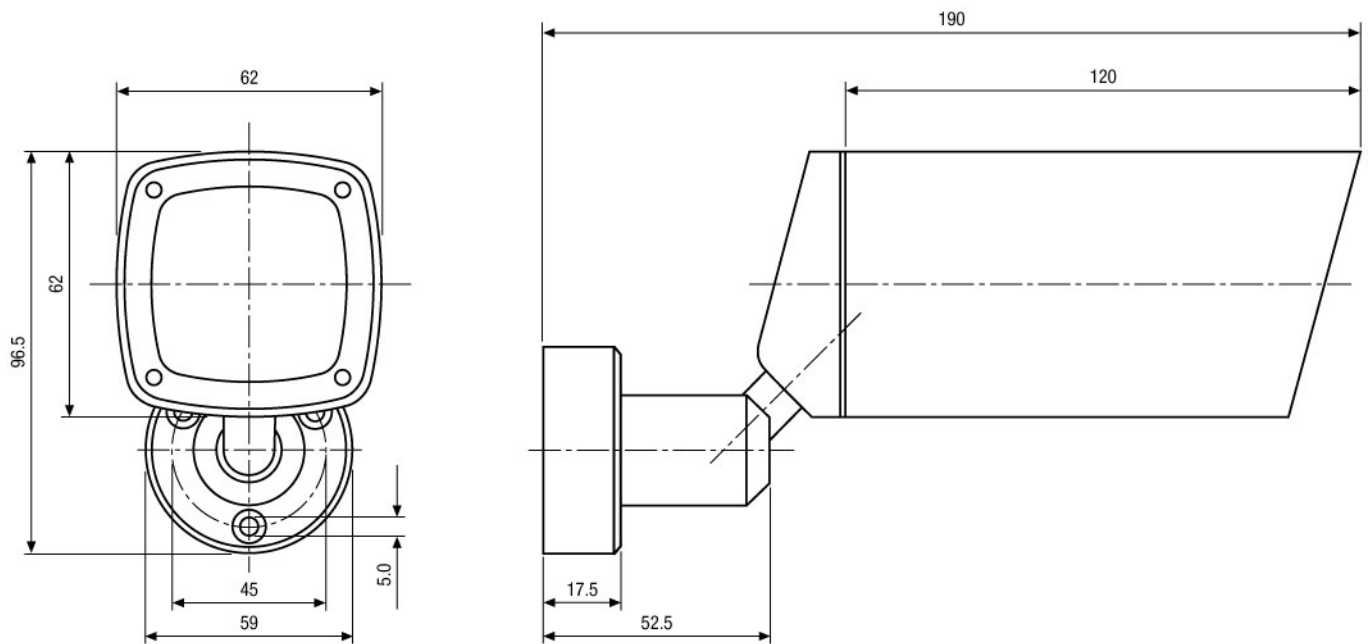
Product information

*) For ceiling installation please contact Videor in advance. They will modify the camera before shipping.

VKC-1324A/W3

Home | Security | Cameras | Plug & Play

Technical drawing



Maße/Dimensions: mm