

# Video Security



## VKC-1324/WDDG2

1/3" Colour Dome Camera, Surface Mount  
with F1.2/3.8-9.5mm Lens, 12VDC, 480TVL

Art-No. 91948



## Features

For Wall and Drop-ceiling Mount

Vandal and Tamper-Resistant

Clear Lexan Bubble with Inner Liner

1/3" Colour CCD Board Camera with Varifocal Lens

Built-in Lens F1.2/3.8-9.5mm with DC Iris Control

Resolution of 480 Horizontal Lines

Automatic Shutter Control (AES)

Digital Signal Processing (DSP)

Back Light Compensation (BLC)

Manual 3-axis Camera Adjustment

For Easy Indoor and Outdoor Installation

Certified according to BGV Kassen

## Specifications

System	CCIR/PAL
Imager	1/3" Sony Super HAD Interline Transfer CCD
Active picture elements	Ca. 440.000, (H) 752 x (V) 582 Pixels
Horizontal resolution	480 TV lines
Sensitivity at 50% video signal	0.5Lux at F1.3 (F1.2)
Signal-to-noise ratio	48dB
Gamma correction	Approx. 0.45
Synchronization	Internal
Automatic shutter control (AES)	1/50 ~ 1/100.000sec.
Automatic gain control (AGC)	28dB
Backlight compensation (BLC)	Center weighted
White balance (ATW)	2000 ~ 8000K, Automatic
Internal adjustments	Level for DC controlled iris
Lens	F1.2/F2.0~360 / 3.8~9.5mm with galvanometer controlled iris
Focus range	0.15m ~ ∞
Horizontal angle of view	74.2° ~ 30°
Video output	1Vp-p, CVBS, 75ohms

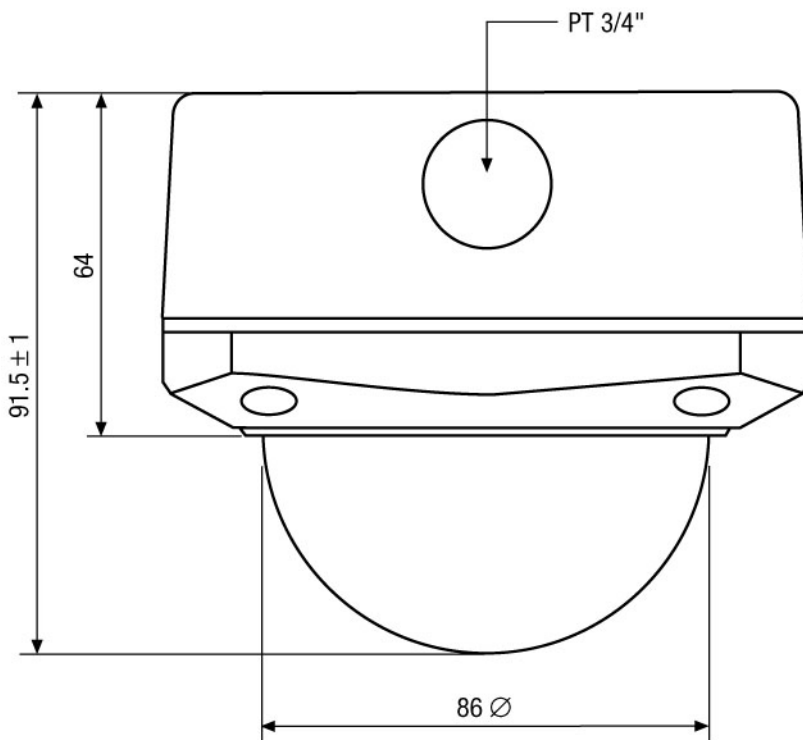
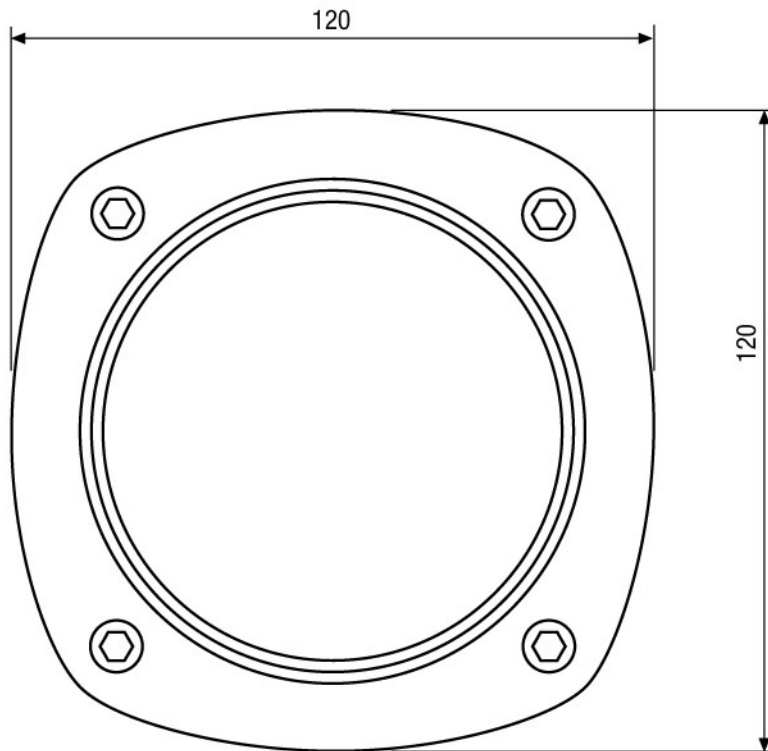
**VKC-1324/WDDG2**

(Specifications continued)

<b>Supply voltage</b>	12VDC (9~18VDC)
<b>Power consumption</b>	Approx. 3.0watts
<b>Housing</b>	Die-cast aluminium with clear polycarbonate bubble
<b>Bubble</b>	Vandal resistant 3mm clear polycarbonate bubble with inner liner
<b>Cable entry</b>	3/4" and 1/2" thread for conduit glands, lock stopper included
<b>Protection rating</b>	IP65 (at installation according to the manual)
<b>Temperature range</b>	-10°C ~ +50°C (-30° with heater kit, #71664)
<b>Thermostat switching points</b>	+2.4°C ON / +22°C OFF (heater kit 12V, #71664, optional)
<b>Cable connection</b>	Video (BNC), 12VDC (DC jack)
<b>Dimensions (HxWxD)</b>	See drawing
<b>Weight</b>	Approx. 750g
<b>Parts supplied</b>	3/4" and 1/2" thread for conduit glands, lock stopper included

**Accessories**

<b>77779 / VT-PS12DC-UK</b>	Power Supply Unit w. UK Mains plug-in, 100-240VAC/12VDC-1.0A, Regul., open Ends
<b>77772 / VT-PS12DCDT</b>	PSU 12VDC/0,5A, Regulated, Desktop Version, 1.8m Cable each w. open ends
<b>70447 / VT-PS12DC-5</b>	Plug-in Power Supply Unit 100-240VAC 12VDC (1.0Amp), Regulated, with DC Plug
<b>71664 / WDDG2/H12</b>	Low Voltage Heater Kit 12V/8W for WDDG-2 housing
<b>73844 / FW7362/12</b>	Plugable AC/DC Adapter 100-240V/12VDC-2.5A, Regulated



Maße/Dimensions: mm

VIDEOR TECHNICAL E. Hartig GmbH  
 Carl-Zeiss-Straße 8 · 63322 Rödermark · Germany  
 Telefon +49 (0) 60 74/8 88-0 · Telefax +49 (0) 60 74/8 88-100  
 info@videortechnical.com · www.videortechnical.com