

Video Security

Cameras | Day/Night Cameras

VKC-1319/IR

1/3" Day/Night Camera with Switchable IR
Cut Filter, DSP, 230VAC, 510TVL

Art-No. 91937



Lens is not included with the camera

Features

IR Sensitive Colour/B&W Camera

Horizontal Resolution of 480 TV Lines (Colour)

Sensitivity of 0.42Lux (at B&W)

Digital Signal Processing (DSP)

Removable IR Cut Filter

Automatic Gain Control (AGC)

Manual or Automatic Shutter Control (MES/AES)

Backlight Compensation (BLC)

Auto Iris and DC Iris Control

C/CS Mount

Supply Voltage: 230VAC

Specifications

System	CCIR/PAL
Imager	1/3" Sony Super HAD Interline Transfer CCD
Active picture elements	Approx. 440,000, 752(H) x 582(V)
Synchronization	Line lock or internal
Sensitivity at 50% video signal	0.42Lux at F1.2 (at b&w and according to the VT measurement result)
Horizontal resolution	480 TV lines (Colour), 510 TVL (B&W)
Genlock synchronization	-
Automatic shutter control (AES)	1/50 ~ 1/100.000Sec.
Manual electronic shutter (MES)	1/50 ~ 1/10.000Sec.
Gamma correction	0.45
Automatic gain control (AGC)	ON/OFF switchable
White balance (ATW)	ON/OFF switchable (2 modes: Quick and Automatic) 2,800 to 8000K
IR cut filter	Motorized, switchable filter. Automatic function depend on the amount of light. Automatic/manual selectable by DIP switch. In removed filter position, the colour signal will be switched off
Flickerless function	ON/OFF switchable

VKC-1319/IR

(Specifications continued)

Signal-to-noise ratio	50db (AGC OFF)
Aperture Correction (APC)	Horizontal and vertical
Backlight compensation (BLC)	ON/OFF switchable
Lens mount	C/CS (with C mount adapter)
Usable iris controls	Manual iris, Auto-Iris/DC control
External adjustments	8 DIP switches for: AGC, BLC, Shutter, Flickerless, White balance ON/OFF; Colour/B&W, Internal/Line-lock synchronization, AI/DC iris control; Level for DC voltage controlled iris; V. Phase; Colour/B&W level (Hi/Low); Flange back
Video output	1Vp-p, CVBS, 75ohms
External connections	Video (BNC), Auto/DC Iris (4-pin), Power input (3-pin)
Camera mount	1/4" - 20 UNC thread on top and bottom
Supply voltage (+/-10%)	230VAC, 50Hz
Power consumption	6.0watts
Temperature range	-10°C ~ +50°C
Dimensions (HxWxD)	See drawing
Colour	Body: Pantone 877, Front and back: Pantone 8400C
Weight	480g
Parts supplied	4-pin plug, C mount adapter ring

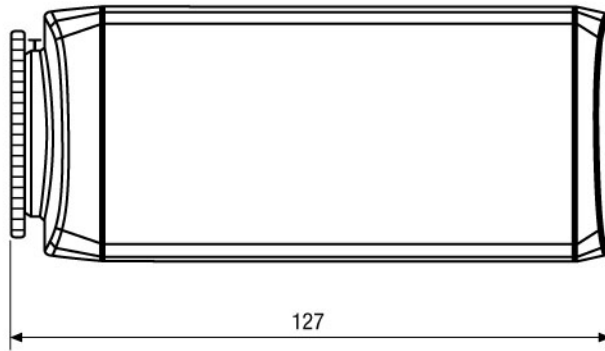
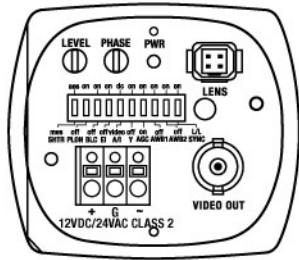
Accessories

70769 / WD-22	Wall Mount Bracket with Ball Joint, 1/4" Camera Fixing Screw, Beige Grey
70697 / WD-21/RAL9006	Wall Mount Bracket with Ball Joint, 1/4" Camera Fixing Screw, RAL9006
43237 / F03Z04NDDC-NFS	F1.4/2.8-11mm DC Lens/var. Focal Length No Focus Shift, 1/3" CS Mount
45246 / YV5X2.7R4B-SA2L	F1.3/2.7-13.5mm DC Varifocal Lens, No Focus Shift, 1/3" CS Mount
43238 / F03Z2.710DC-NFS	F1.0/3-8mm DC Lens/var. Focal Length with No Focus Shift, 1/3" CS Mount
47147 / F0312NDDC-NFS	F1.2/2.8mm DC Lens with No Focus Shift, 1/3" CS Mount
47148 / F0412NDDC-NFS	F1.2/4mm DC Lens with No Focus Shift, 1/3" CS Mount
47149 / F0612NDDC-NFS	F1.2/6mm DC Lens with No Focus Shift, 1/3" CS Mount
47154 / F0812NDDC-NFS	F1.2/8mm DC Lens with No Focus Shift, 1/3" CS Mount
70771 / WD-23	Wall Mount Bracket with Ball Joint, 1/4" Camera Fixing Screw, Pantone 877
47159 / F0812M-NFS	F1.2/8mm Fixed Focal Length Lens with No Focus Shift, 1/3" CS Mount
47158 / F0612M-NFS	F1.2/6mm Fixed Focal Length Lens with No Focus Shift, 1/3" CS Mount
47157 / F0412M-NFS	F1.2/4mm Fixed Focal Length Lens with No Focus Shift, 1/3" CS Mount
47156 / F0312M-NFS	F1.2/2.8mm Fixed Focal Length Lens with No Focus Shift, 1/3" CS Mount

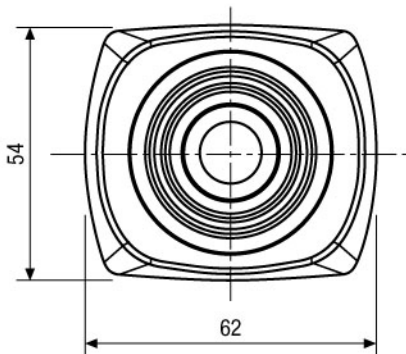
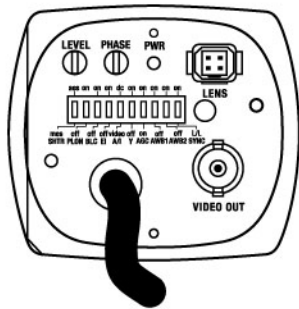
(Accessories continued)

45251 / YV10X5R4A-SA2L	F1,6/5-50mm DC Varifocal Lens with No Focus Shift, 1/3" CS Mount
43239 / A10Z04NDDC-NFS	F1.4/10-40mm DC Lens/var. Focal Length with No Focus Shift, 1/2" C Mount
43248 / A04Z12NDDC-NFS	F1.2/4-12mm DC Lens/var. Focal Length with No Focus Shift, 1/2" C Mount
47161 / F0212NDDC-NFS	F1.2/2.2mm DC Lens with No Focus Shift, 1/3" CS Mount
47162 / F0212M-NFS	F1.2/2.2mm Fixed Focal Length Lens with No Focus Shift, 1/3" CS Mount
43249 / F07Z07NDDC-NFS	F1.3/7.5-50mm DC Lens/var. Focal Length with No Focus Shift, 1/2" CS Mount
43251 / G04Z03NDDC-NFS	F1.2/4.5-12.5mm DC Lens/variable Focal Length, No Focus Shift, 1/2" CS Mount
43252 / G04Z03M-NFS	F1.2/4.5-12.5mm Lens, Var. Focal Length with No Focus Shift, 1/2", CS Mount

12VDC/24VAC



230VAC



Maße/Dimensions: mm

VIDEOR TECHNICAL E. Hartig GmbH
 Carl-Zeiss-Straße 8 · 63322 Rödermark · Germany
 Telefon +49 (0) 60 74/8 88-0 · Telefax +49 (0) 60 74/8 88-100
 info@videortechnical.com · www.videortechnical.com

