

Video Security



VKC-1310S/12-24
1/3" Colour Camera
DSP, 12VDC/24VAC, 330TVL
Art-No. 91951



Lens is not included with the camera

Features

Resolution of 330 Horizontal Lines
High Sensitivity
Digital Signal Processing (DSP)
Automatic Gain Control (AGC)
Linear Shutter Control (ESC)
Automatic Shutter Control (AES)

Aperture Control (APC)
Backlight Compensation (BLC)
Internal Synchronization
Auto Iris and DC Iris Control
C/CS Mount
Supply Voltage: 12VDC/24VAC

Specifications

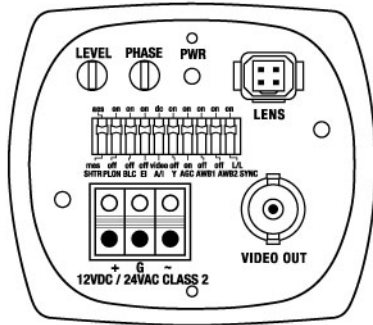
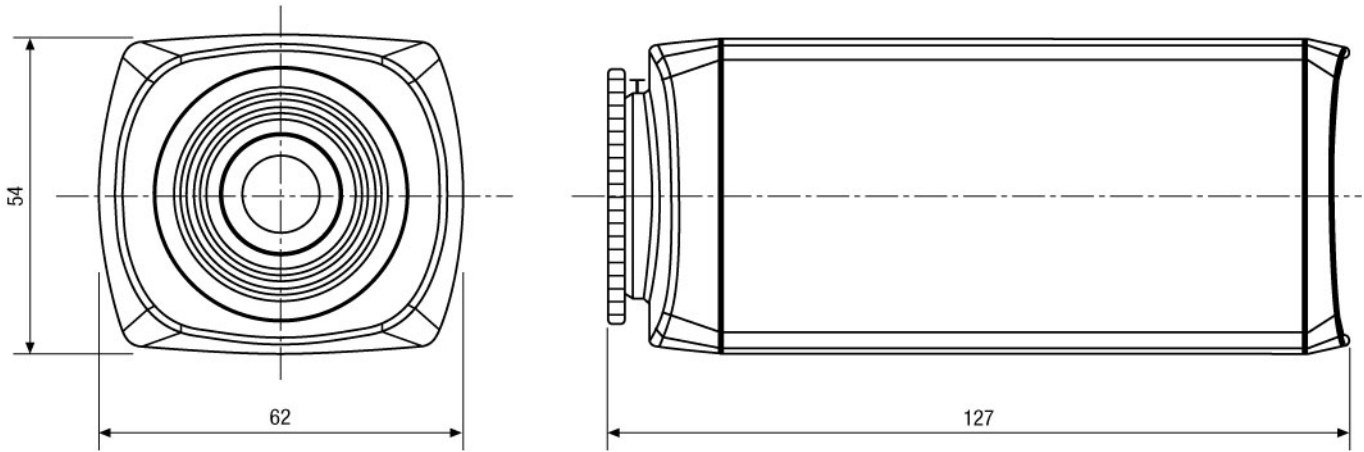
System	CCIR/PAL
Imager	1/3" Sony Super HAD Interline Transfer CCD
Active picture elements	Approx. 290,000 (H) 500 x (V) 582
Signal processing	DSP
Synchronization	Internal
Signal-to-noise ratio	50dB (AGC OFF)
Gamma correction	0.45 (ON/OFF switchable)
Horizontal resolution	330 TV lines
Sensitivity at 50% video signal	0.45Lux at F1.2 (VT measurement result)
Electronic shutter control (ESC)	1/50 to 10,000sec.
Automatic gain control (AGC)	ON/OFF switchable
Backlight compensation (BLC)	ON/OFF switchable
White balance (AWB)	ON/OFF switchable
Flickerless function	ON/OFF switchable
Video output	1Vp-p, CVBS, 75ohms
Lens mount	C/CS (with adapter)
Usable iris controls	Manual iris, Auto-Iris/DC-Iris control
Auto-Iris voltage supply	9VDC (40mA max.)

(Specifications continued)

External adjustments	AGC, BLC, ESC, Flickerless, AWB ON/OFF, AI/DC iris control, AES/ESC, Flange focus Level for DC controlled lenses
External connections	Video (BNC), Auto-Iris/DC iris (4-pin), Power input (3-pin)
Supply voltage	12VDC (+/-20%), 24VAC (+/-10%), 50Hz
Power consumption	Approx. 6watts
Camera mount	1/4" - 20 UNC thread on top and bottom
Temperature range	-10°C to +50°C
Dimensions (HxWxD)	See drawing
Colour	Body: Pantone 877, Front and back: Pantone 8400C
Weight	235g
Parts supplied	Camera, C/CS Mount ring, 4-pin Lens plug, Manual

Accessories

70688 / WD-18	Wall Mount with Ball Joint, 1/4" Camera Fixing Screw, Beige Grey
70448 / VT-PS12DC-6	Plug-in Power Supply Unit 100-240VAC 12VDC (1.0Amp), Regulated, w. Open Ends
70769 / WD-22	Wall Mount Bracket with Ball Joint, 1/4" Camera Fixing Screw, Beige Grey
70771 / WD-23	Wall Mount Bracket with Ball Joint, 1/4" Camera Fixing Screw, Pantone 877
77772 / VT-PS12DCDT	PSU 12VDC/0,5A, Regulated, Desktop Version, 1.8m Cable each w. open ends



Maße/Dimensions: mm

VIDEOR TECHNICAL E. Hartig GmbH
 Carl-Zeiss-Straße 8 · 63322 Rödermark · Germany
 Telefon +49 (0) 60 74/8 88-0 · Telefax +49 (0) 60 74/8 88-100
 info@videortechnical.com · www.videortechnical.com

