

Video Security



VK-1318/WDDG1

1/3" B/W Dome Camera, In-Ceiling Mount with 4-8mm Varifocal Lens, 12VDC, 600TVL

Art-No. 91944



Features

For Wall and In-ceiling Mount
Vandal and Tamper-Resistant
Clear Lexan Bubble with Inner Liner
1/3" B&W CCD Board Camera w. Manual Varifocal Lens
Integrated F2.0/4-8mm Varifocal Lens

Resolution of 600 Horizontal Lines
Automatic Shutter Control (AES)
Automatic Gain Control (AGC)
For Easy Indoor Installation)
Manual 3-axis Camera Adjustment

Specifications

System	CCIR/PAL
Imager	1/3" Sony Super HAD Interline Transfer CCD
Active picture elements	Approx. 440,000 (H) 752 x (V) 582 pixels
Horizontal resolution	600 TV lines
Sensitivity at 50% video signal	2.1Lux at F2.0 (VT measurement result); 0.75Lux at F1.2
Gamma correction	0.45
Synchronization	Internal
Automatic shutter control (AES)	1/50 ~ 1/100,000sec.
Lens	F 2.0~2.8 / 4~8mm (fixed iris)
Horizontal angle of view	Approx. 63° ~ 34°
Video output	1Vp-p, CVBS, 75ohms
Supply voltage	12VDC (+/-10 %)
Power consumption	Approx. 1.4watts
Housing	Die-cast aluminium with clear polycarbonate bubble
Bubble	Vandal resistant 3mm clear polycarbonate bubble with inner liner
Colour	Pantone Coolgray 1C
Cable entry	2x 8mm holes with rubber glands
Protection rating	IP65 (at installation according to the manual)

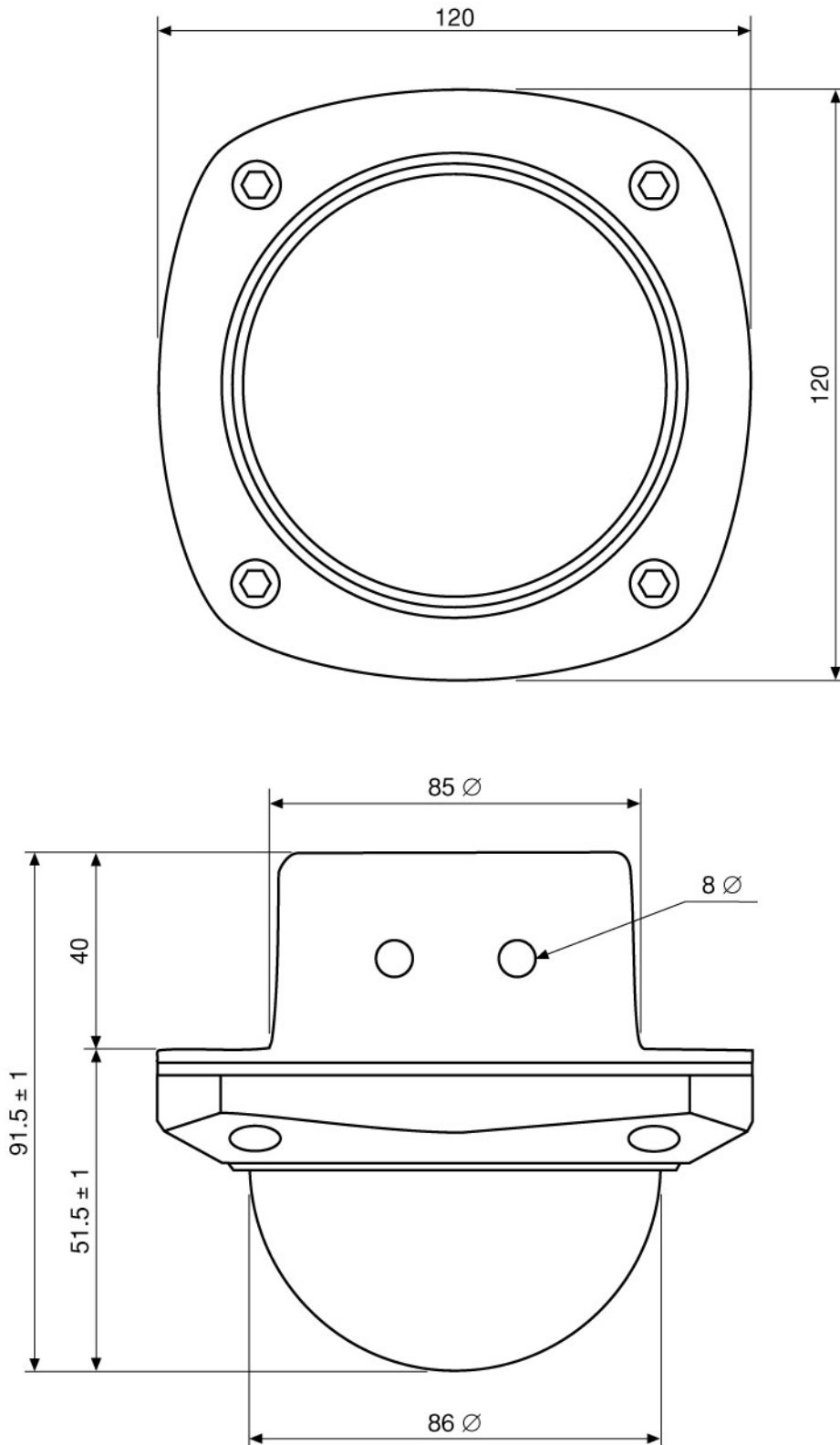
VK-1318/WDDG1

(Specifications continued)

Temperature range	-10°C ~ +50°C
Cable connection	Open leads
Dimensions (HxWxD)	See drawing
Weight	Approx. 750g
Parts supplied	Mounting kit, Torx wrench key

Accessories

77779 / VT-PS12DC-UK	Power Supply Unit w. UK Mains plug-in, 100-240VAC/12VDC-1.0A, Regul., open Ends
70448 / VT-PS12DC-6	Plug-in Power Supply Unit 100-240VAC 12VDC (1.0Amp), Regulated, w. Open Ends
77772 / VT-PS12DCDT	PSU 12VDC/0,5A, Regulated, Desktop Version, 1.8m Cable each w. open ends



Maße/Dimensions: mm

VIDEOR TECHNICAL E. Hartig GmbH
Carl-Zeiss-Straße 8 · 63322 Rödermark · Germany
Telefon +49 (0) 60 74/8 88-0 · Telefax +49 (0) 60 74/8 88-100
info@videortechnical.com · www.videortechnical.com