



Monochrome Cameras

FDP-No. : 91829

VK-1315/230V

- Horizontal Resolution of 380 TV Lines
- High Sensitivity
- Digital Signal Processing (DSP)
- Automatic Gain Control (AGC)
- Automatic Shutter Control (AES)
- Aperture Control (APC)
- Backlight Compensation (BLC)
- Internal Synchronization
- Auto Iris and DC Iris Control
- C/CS Mount
- Supply Voltage: 230 VAC



Lens is not included with the camera

Specifications:

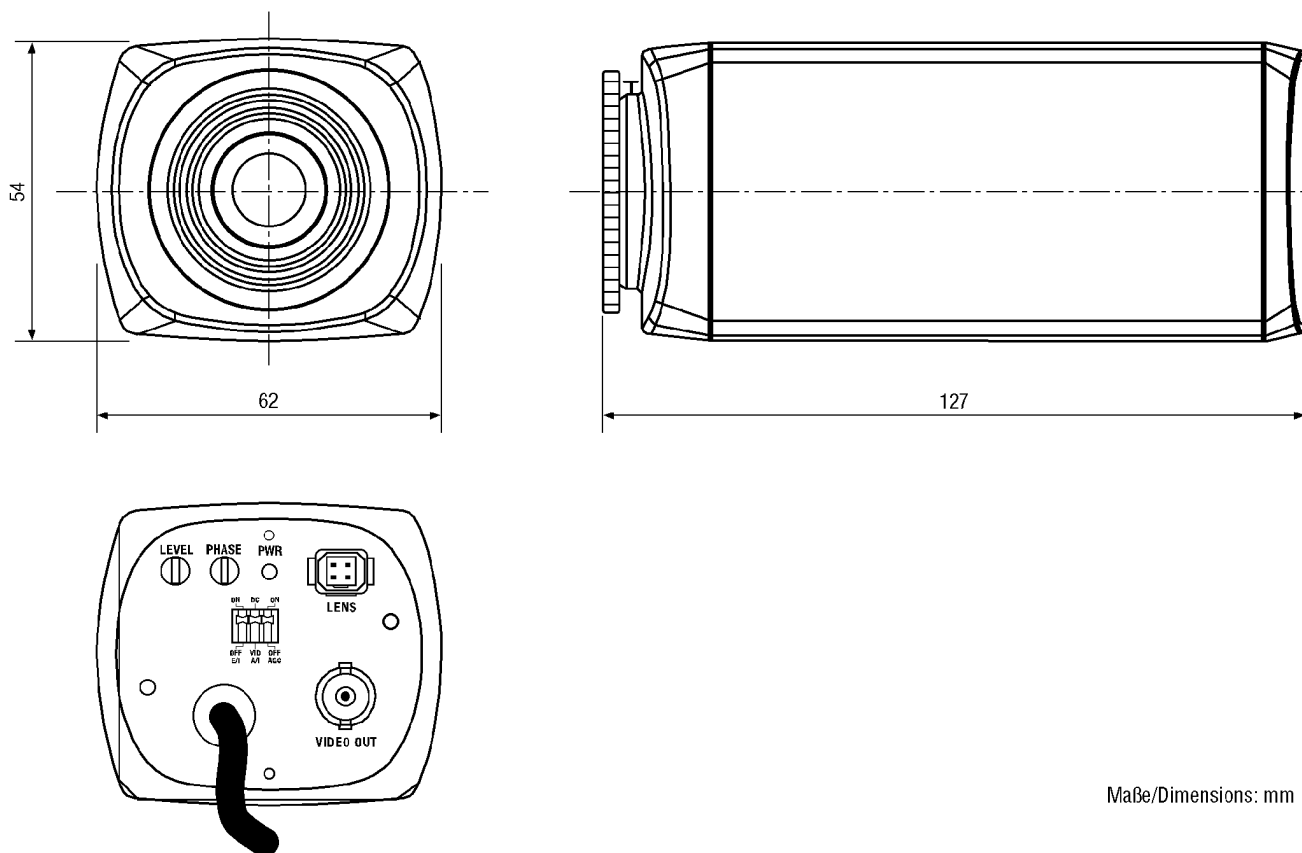
Imager	1/3" Interline transfer CCD
System	CCIR
Synchronization	Line-lock
Signal processing	DSP
Sensitivity at 50% video signal	0.1 Lux at F1.2 (VT measurement result)
Horizontal resolution	380 TV lines
Active picture elements	Approx. 290,000 (H) 500 x (V) 582
Signal-to-noise ratio	46 dB (AGC OFF)
Automatic shutter control (AES)	1/50 to 100,000 sec. (ON/OFF switchable)
Gamma correction	0.45
Aperture Correction (APC)	Horizontal and vertical
Automatic gain control (AGC)	ON/OFF switchable
Backlight compensation (BLC)	Provided
Video output	1 Vp-p, CVS, 75 Ohm
Mount	C/CS (with adapter)
Auto-Iris voltage supply	9 VDC (max. 40 mA)
External adjustments	Shutter ON/OFF, AGC ON/OFF, AI/DC iris control, Flange focus Level for DC controlled lenses, V-phase adjustment

VK-1315/230V

External connections	Video (BNC), Auto-Iris/DC iris (4-pin), Power cord
Iris controls	Manual iris, Auto-Iris/DC-Iris controlled
Supply voltage	230 VAC (+/-10%), 50 Hz
Power consumption	5 W
Camera mount	1/4" - 20 UNC thread on top and bottom
Temperature range	-10°C to +50°C
Dimensions (HxWxD)	See drawing
Colour	Pantone Coolgrey 1C
Weight	500 g

Accessories	
EDP No. / Type	Description
70688 WD-18	Wall bracket (ABS) with ball joint 1/4", beige finish
91853 VKC-131X/D	Dummy camera VK-1315/1316, VKC-1310/1311 series

Textual information for accessories



Maße/Dimensions: mm

e-mail: info@eneo-security.com • www.eneo-security.com