



Covert & Fixed Dome Cameras

FDP-No.: 91785

VK-1311/SMD

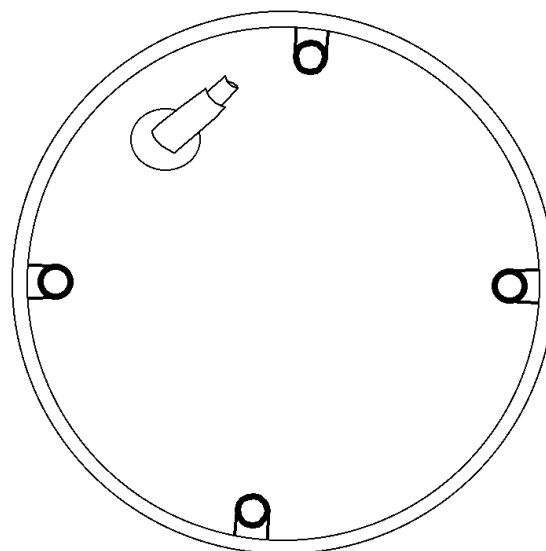
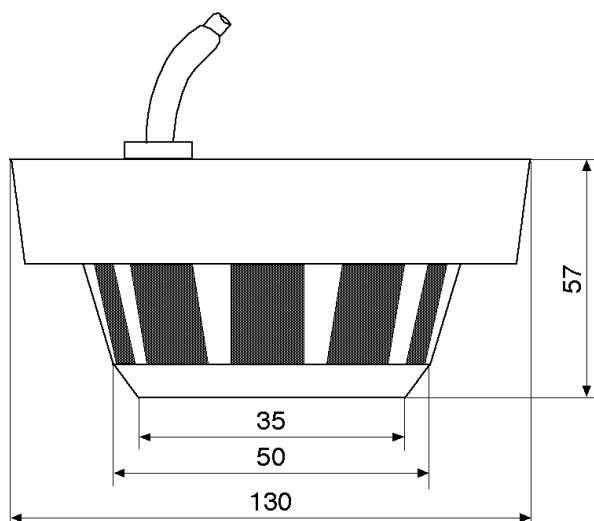
- For Wall and Drop Ceiling Mount
- Resolution of 420 Horizontal Lines
- Built-in Pinhole Lens F2.0/3.6 mm
- Electronic Shutter Control (ESC)
- Internal Synchronization
- Easy Installation
- Supply Voltage: 12 VDC



Specifications:

| | |
|--------------------------|------------------------------------|
| Imager | 1/3" Interline transfer CCD |
| System | CCIR |
| Synchronization | Internal |
| Sensitivity | 0.62 Lux (F2.0) |
| Horizontal resolution | 420 TV lines |
| Picture elements | Approx. 290,000 (H) 500 x (V) 582 |
| Signal-to-noise ratio | 46 dB (AGC OFF) |
| Linear shutter (ESC) | 1/50 to 1/100,000 sec. (automatic) |
| Video output | 1 Vp-p, CVS, 75 Ohm |
| Gamma correction | 0.45 |
| Lens | F2.0/3.6 mm |
| Horizontal angle of view | 75° |
| Supply voltage | 12 VDC |
| Power consumption | 1.2 W |
| Mounting | Wall and drop ceiling mount |
| Temperature range | -10° to +50°C |
| Housing | Plastic |
| Colour | Beige |
| Dimension (HxD) | See drawing |
| Weight | 145 g |

| Accessories | |
|--------------------|--|
| EDP No. / Type | Description |
| 70443 VT-PS12DC-4 | Power supply unit 230 VAC/12 VDC stabilized with DC plug |
| 77779 VT-PS12DC/UK | Power supply unit 230VAC/12VDC-500mA w. UK mains connector |



Maße/Dimensions: mm

e-mail: info@eneo-security.com • www.eneo-security.com