

VHU/DP-260

Home | Security | Housings | for Boxed Cameras

VHU/DP-260
Candid dustproof Housing (260mm),

Art-Nr. 79482



Main Features

Camera Dustproof Housing for Small Cameras
Integrated Ball Point Head for Smooth Adjustment
For Wall/Ceiling and Upright Mounting
For Cameras with 12VDC, 24VAC Power Input

Insulated camera mounting
Cable Entry: M25X1.5mm
Fully Hidden Cable Routing
Index of Protection: IP54

Specifications

Series	eneo Candid
Maximum installation length	260
Window screen	PC (Lexan)
Clear Shield	no
Window heater	no
Blower	no
Wiper	no
Sunshield	no
Hidden cable management	yes
Cable entry	M25 x1.5mm cable gland with 4 entries for different cable diameters
Integrated wall mount	yes
Protection rating	IP54
Housing	indoor
Housing material	aluminium
Colour (housing)	RAL9016

VHU/DP-260

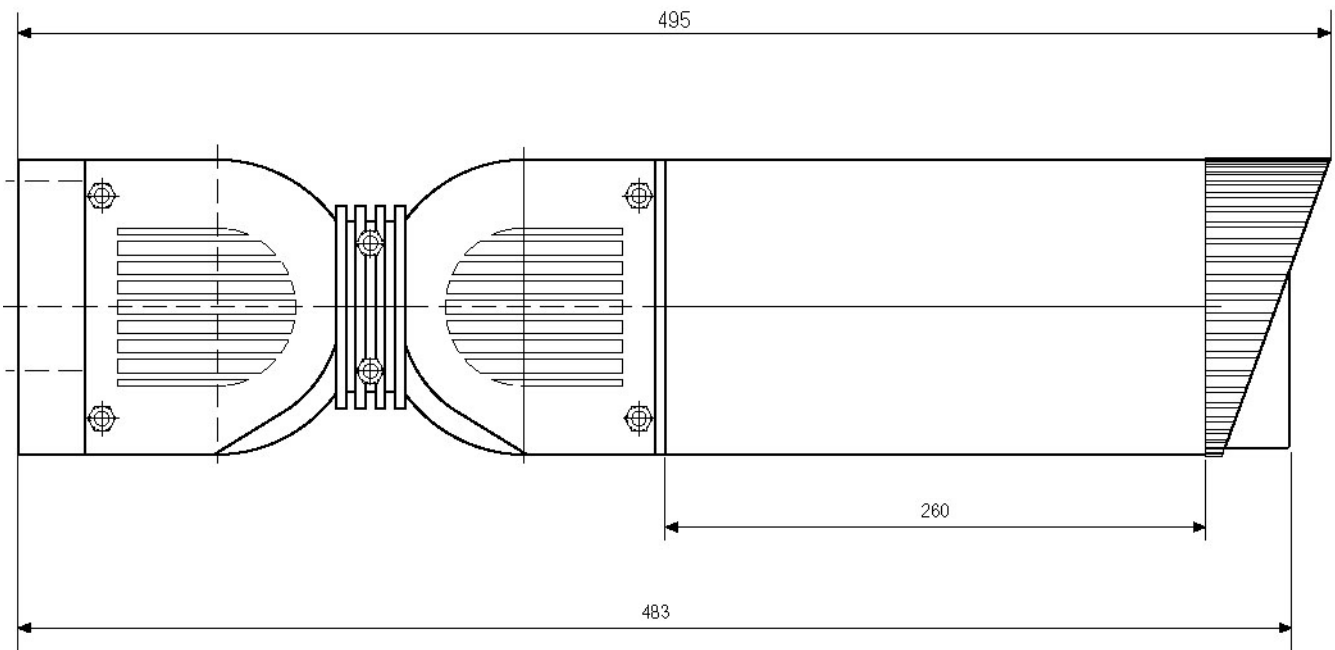
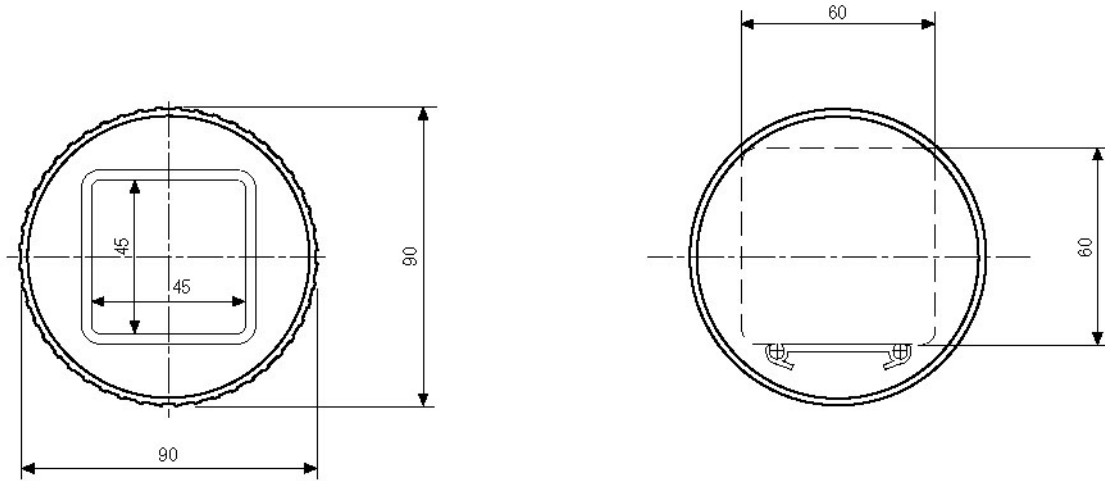
(Continuation Specifications)

Colour	(Body and sunshield), RAL7035 (Front and back), RAL7037 (Inner ball, fixing ring)
Dimensions (HxWxD)	see drawing
Weight	1.2kg
Parts supplied	3mm Allen key, Bag of fixing screws

Optional accessories

73179	PM-42	Pole Mount Adapter, for Housing Series Candid, W3 Plug&Play
70527	NE-132/AC24V	Power Supply Unit 230VAC/24VAC (1.0A)
79494	VHU-NT1	Power Supply Unit for Candid Housing Series 230VAC/12VDC&14VAC(Camera/Heater)
73146	PM-41	Pole Mount Adapter for Housing Series Candid, RAL7035
79499	VHU-AKS/12-24V	Connecting Cable Set 12VDC/24VAC/Video for Candid Housing

Technical drawing



Maße/Dimensions: mm

VIDEOR E. Hartig GmbH, Carl-Zeiss-Straße 8, 63322 Rödermark, Germany -
www.videor.com

